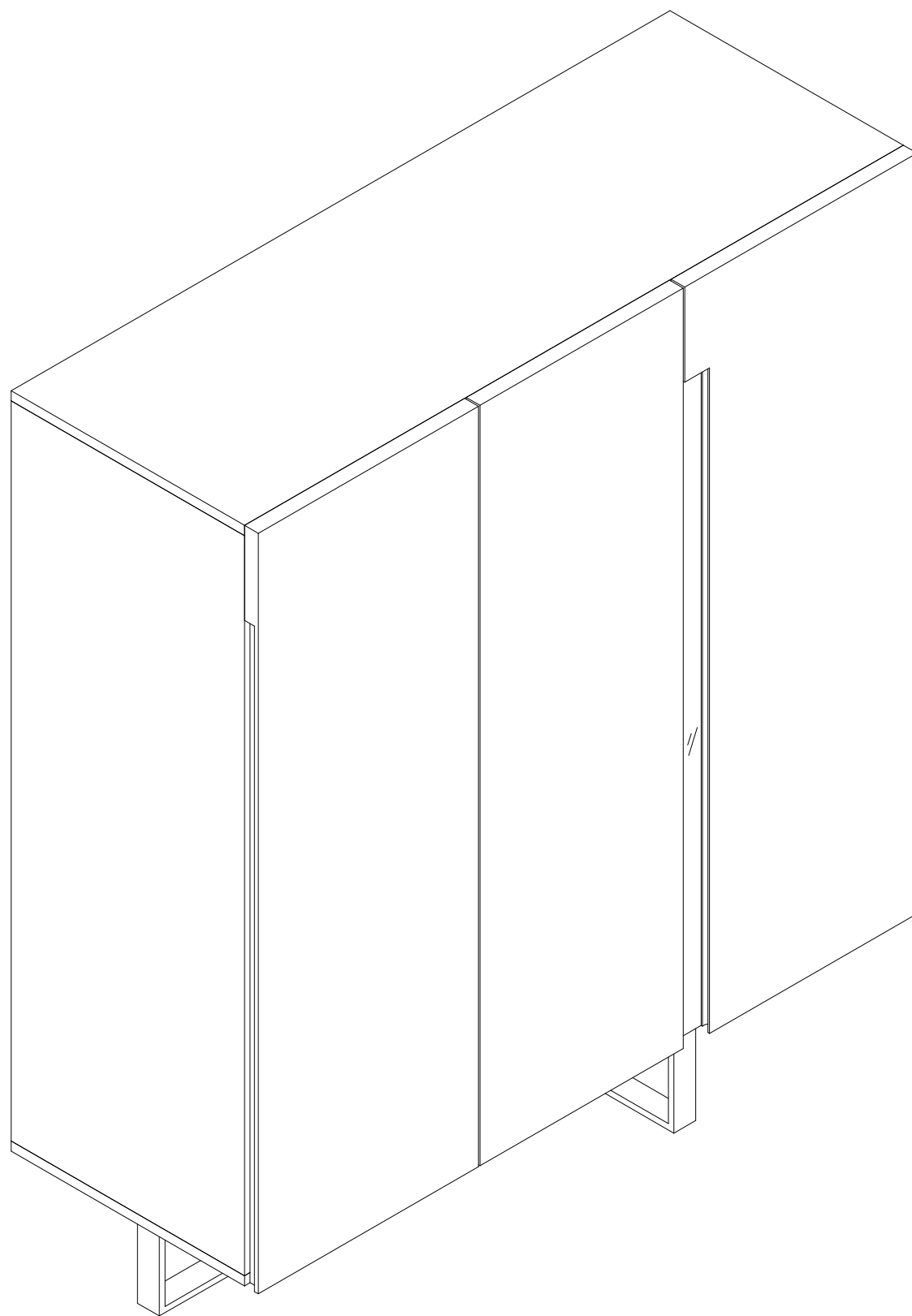


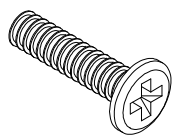
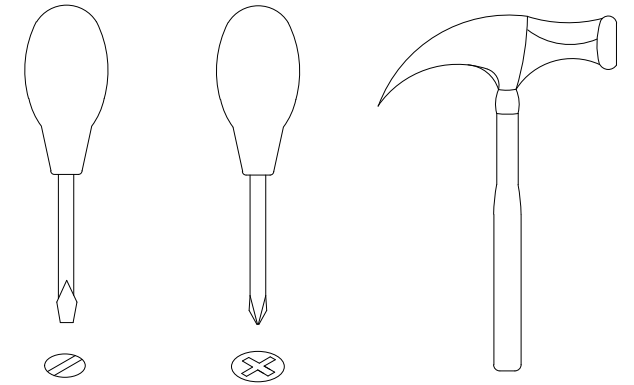
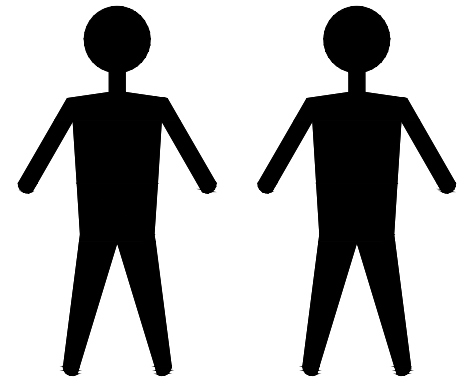


MDI. BR. VC. 12



EAC

MDI. BR. VC. 12



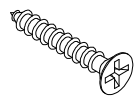
A x7

Spec: M6*25



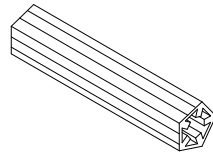
B x7

Spec: $\phi 8 * \phi 18$



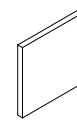
C x10

Spec: $\phi 3.8 * L50$



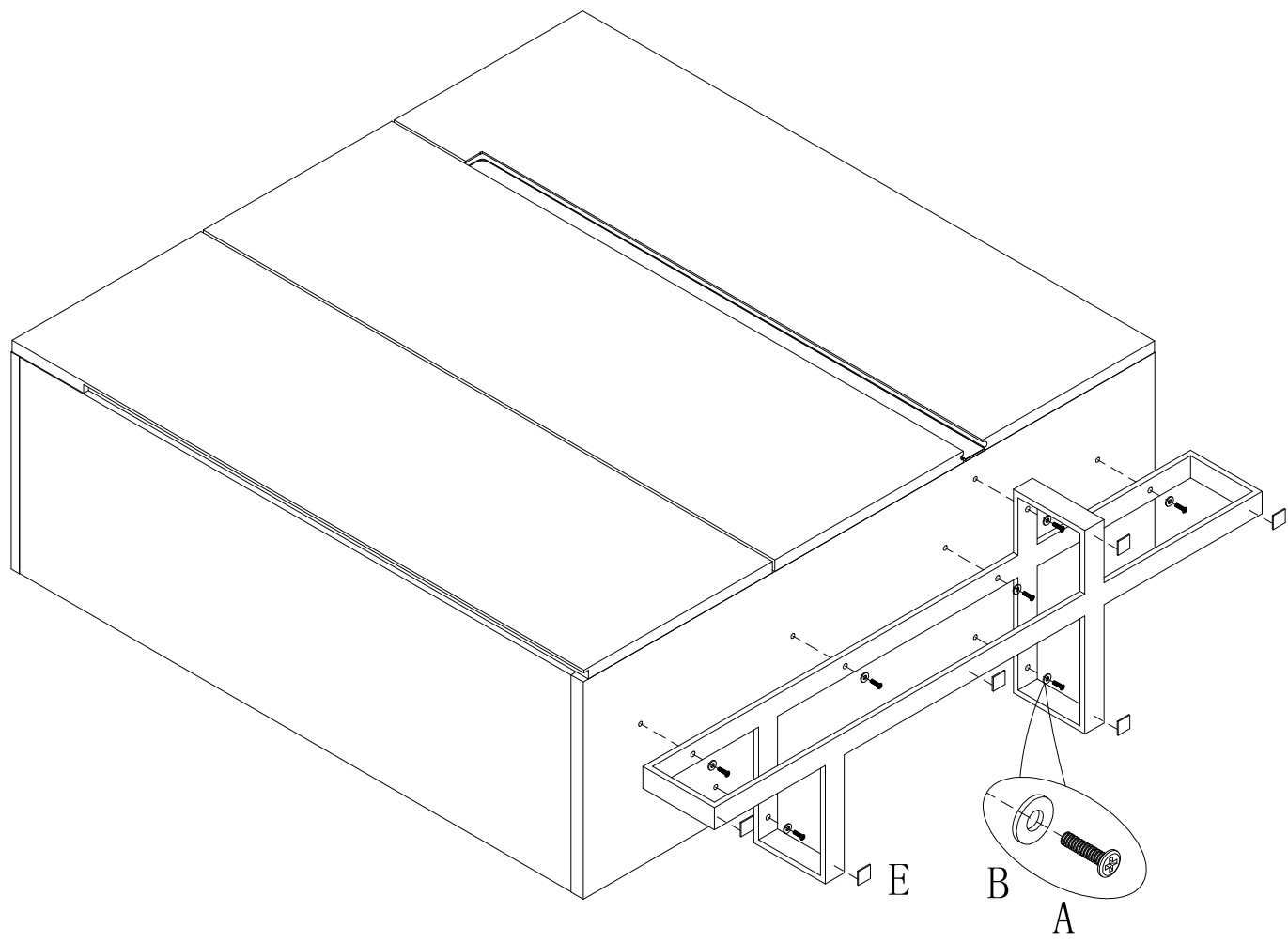
D x10

Spec:



E x6

Spec: 38*38mm



1

2

