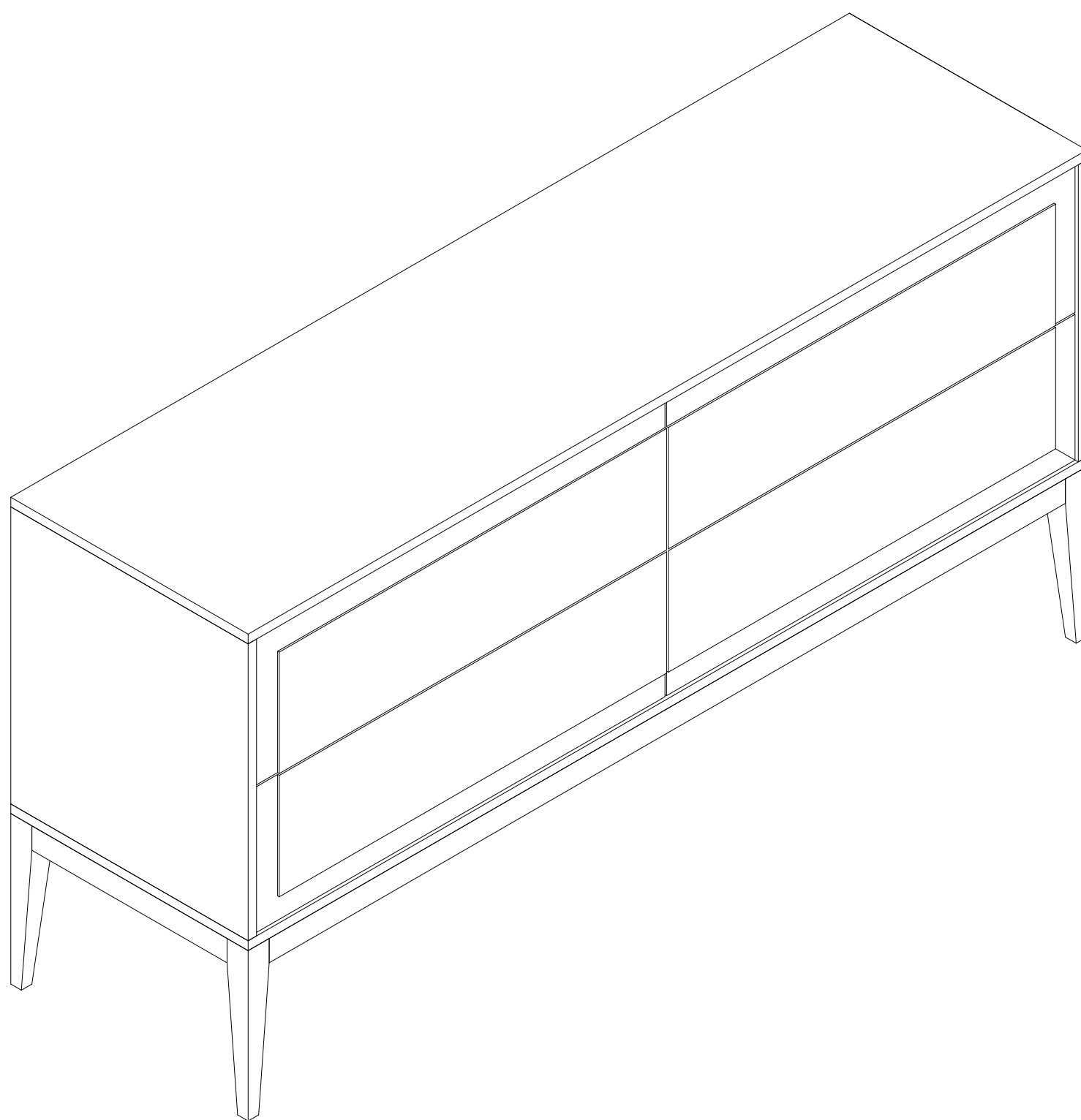


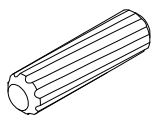
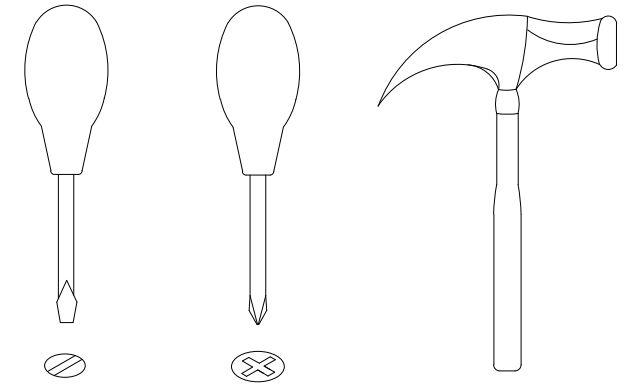
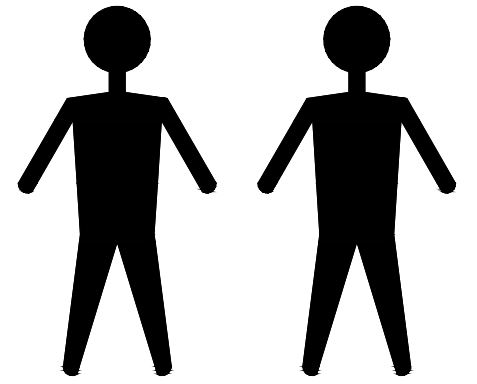
MOD
interiors

MDI. CHD. MRB. 4

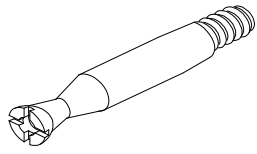


EAC

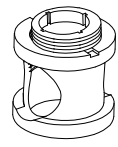
MDI. CHD. MRB. 4



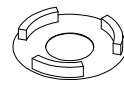
A x4
Spec: $\phi 8 \times 30$



B x8
Spec: $\phi 7 \times L48$



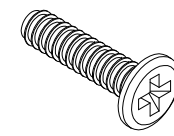
C x8
Spec: $\phi 15 \times H15$



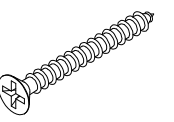
D x12
Spec:



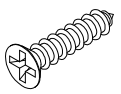
E x12
Spec: $\phi 8 \times \phi 14$



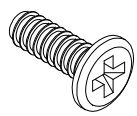
F x4
Spec: M6*45



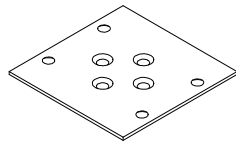
G x12
Spec: $\phi 3.8 \times L38$



H x4
Spec: $\phi 3.5 \times L20$



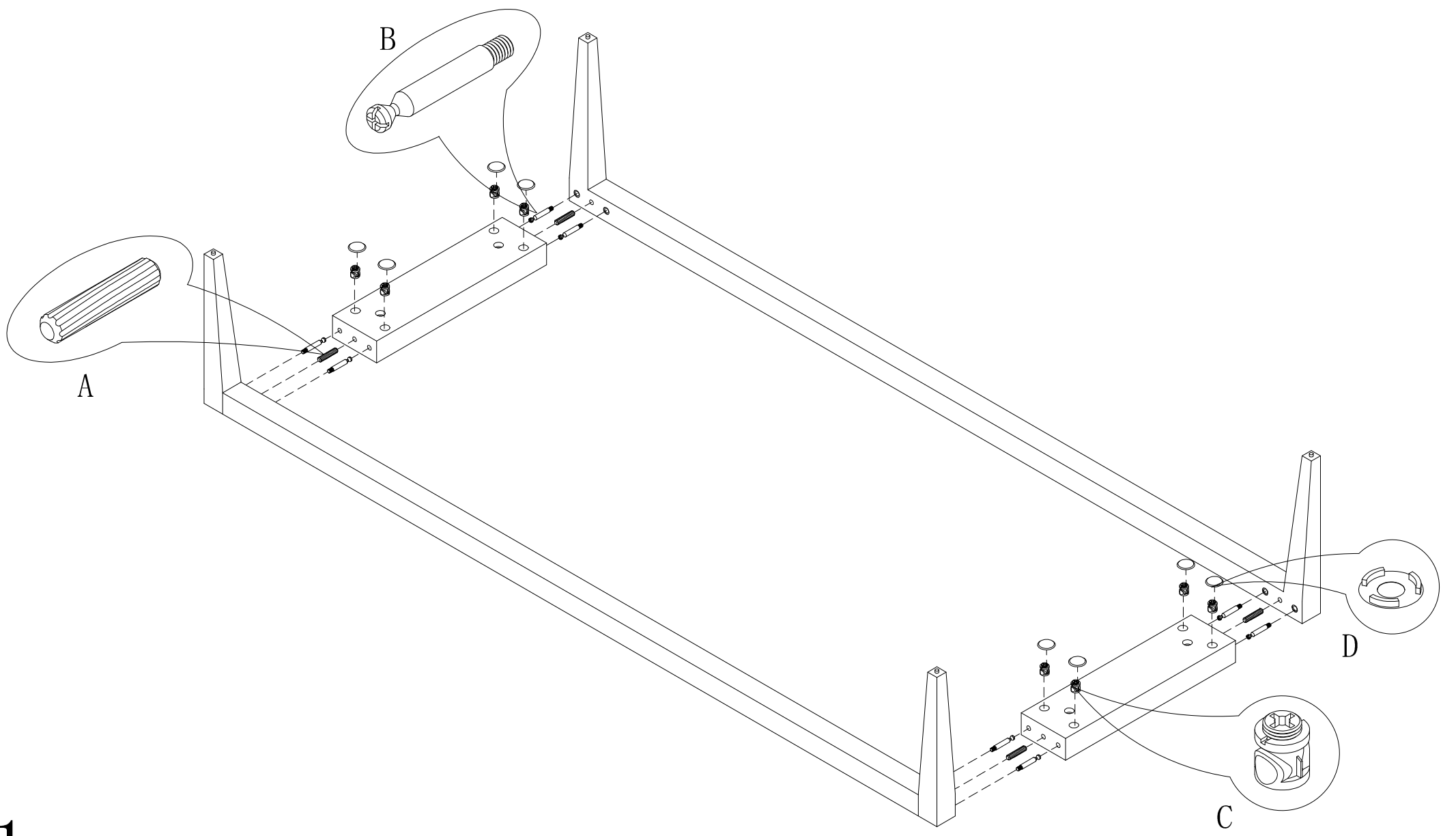
I x8
Spec: M6*35



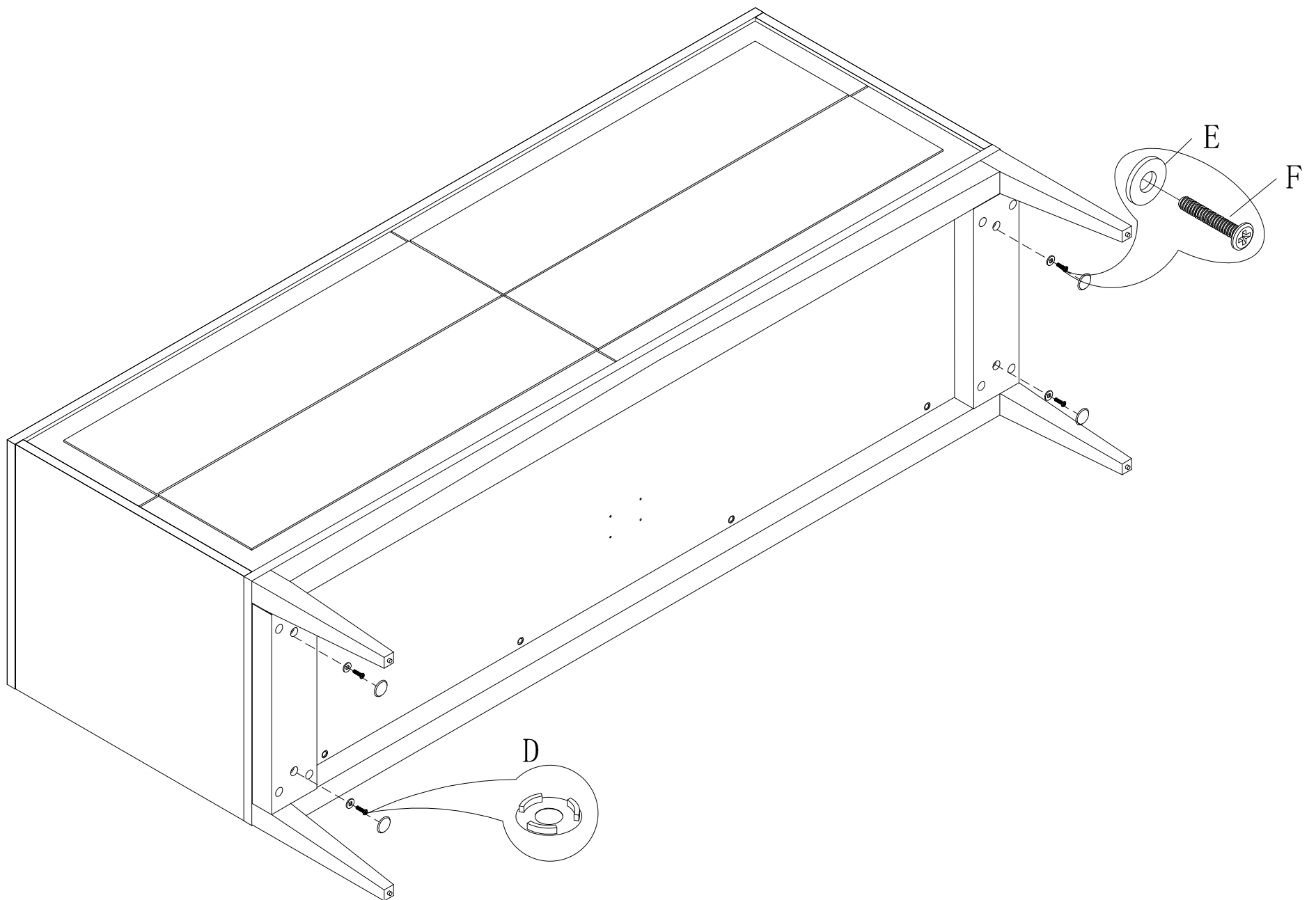
J x1
Spec: $78 \times 78 \times 1.8$

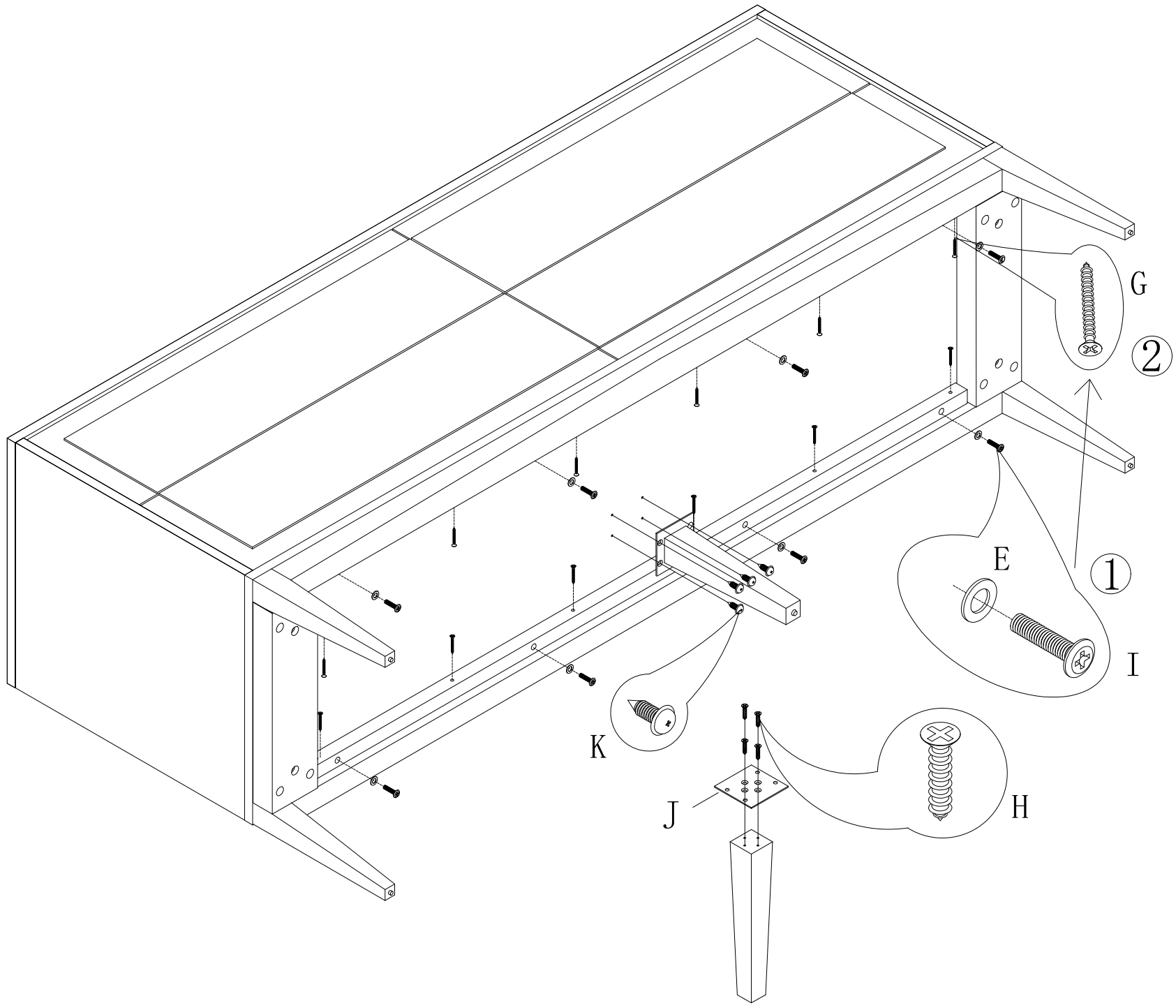


K x4
Spec: $\phi 4 \times L16$



2





3