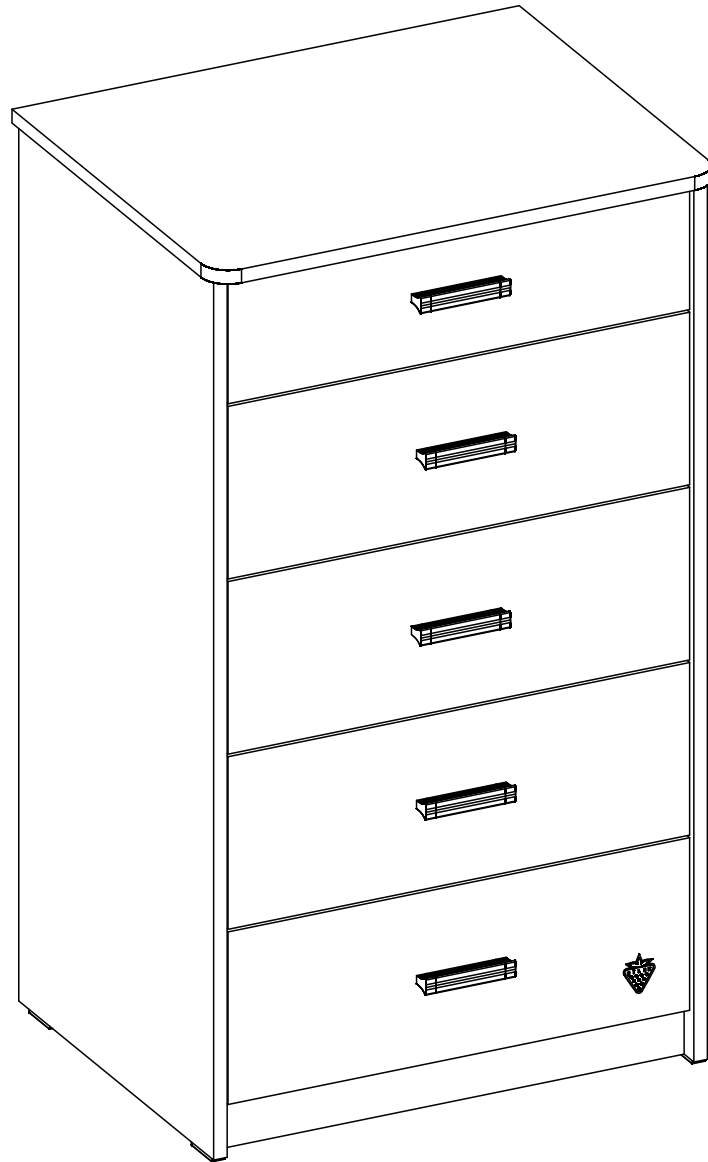
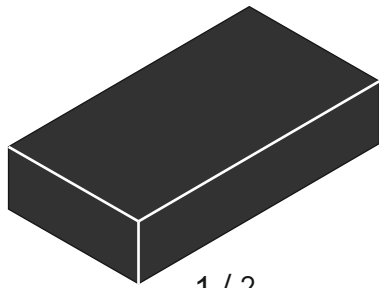
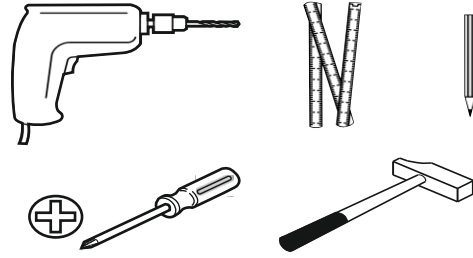
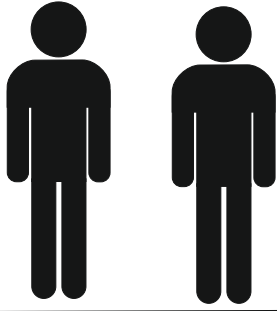
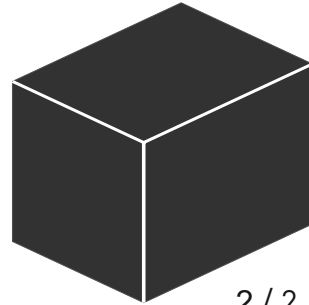


# 20.54.1204.00

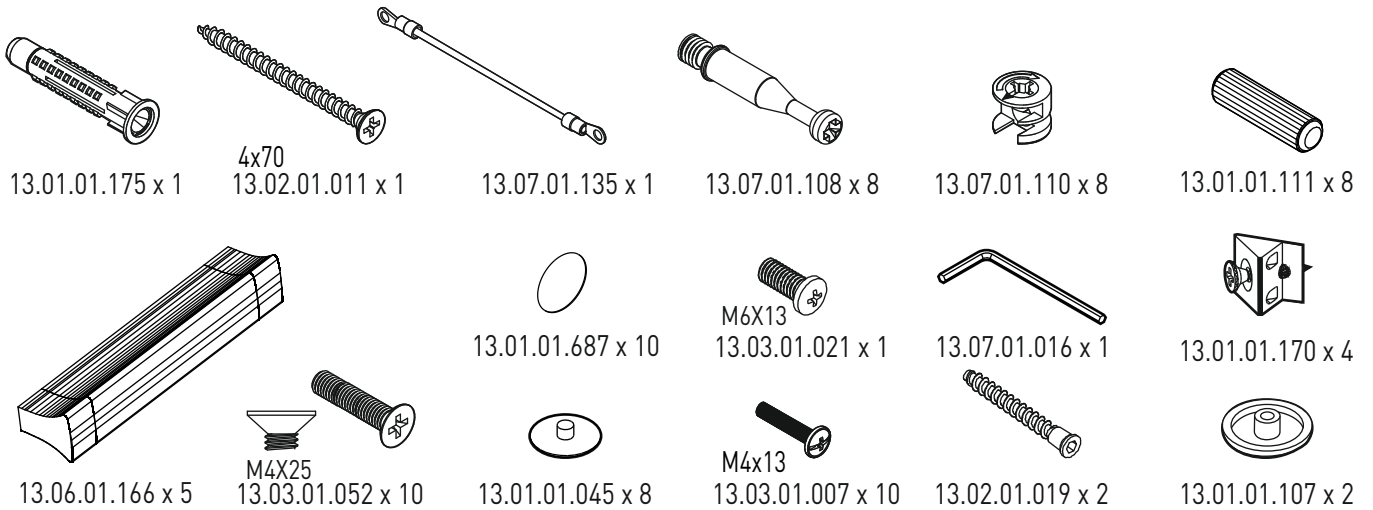




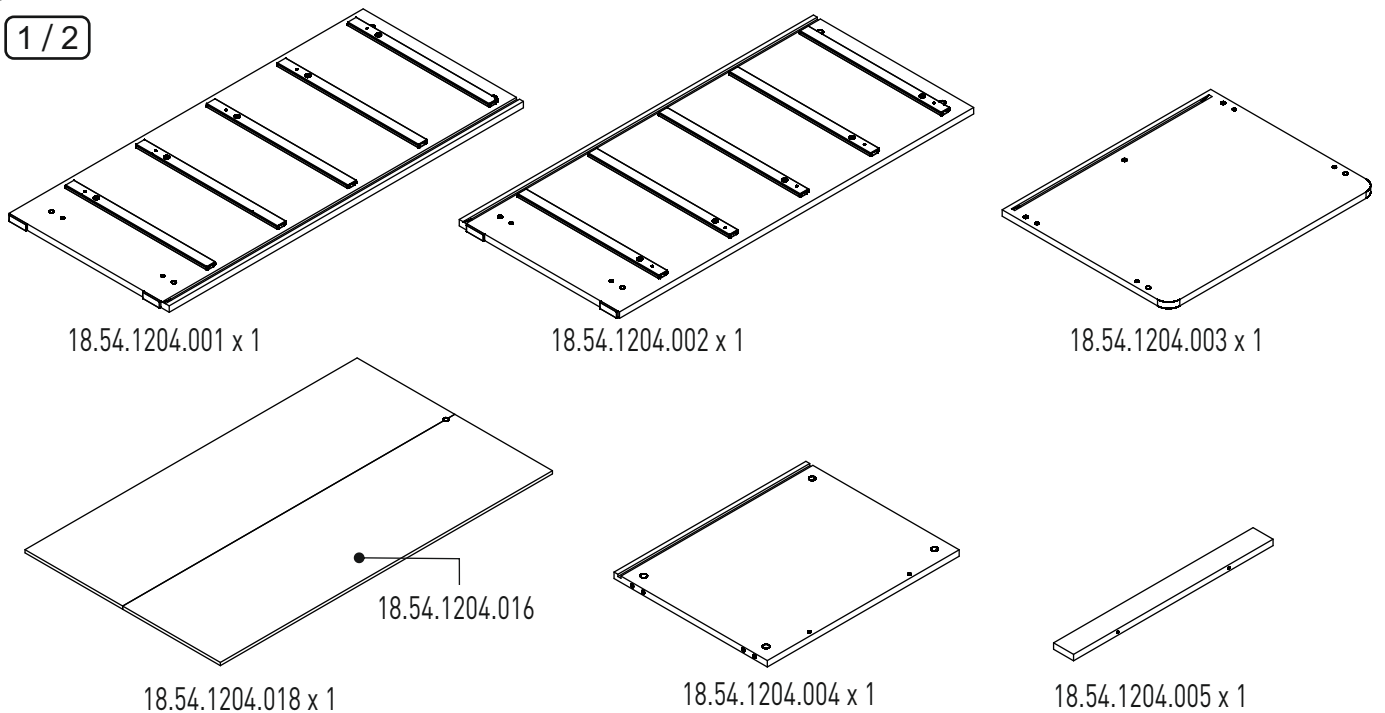
1 / 2



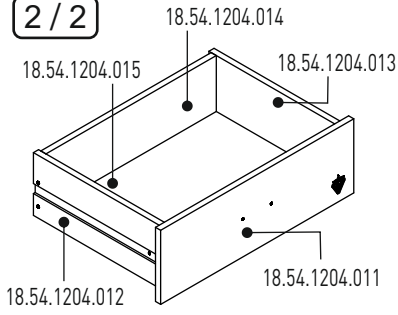
2 / 2



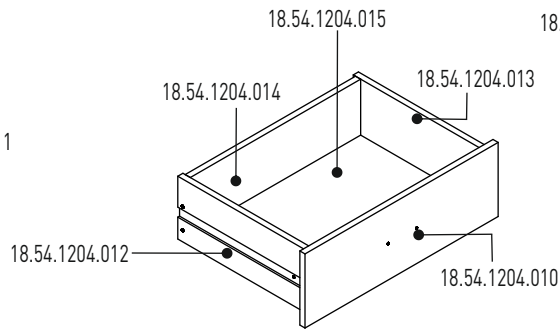
1 / 2



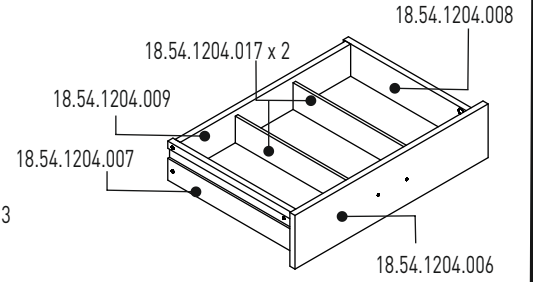
2 / 2



18.54.1204.021 x 1

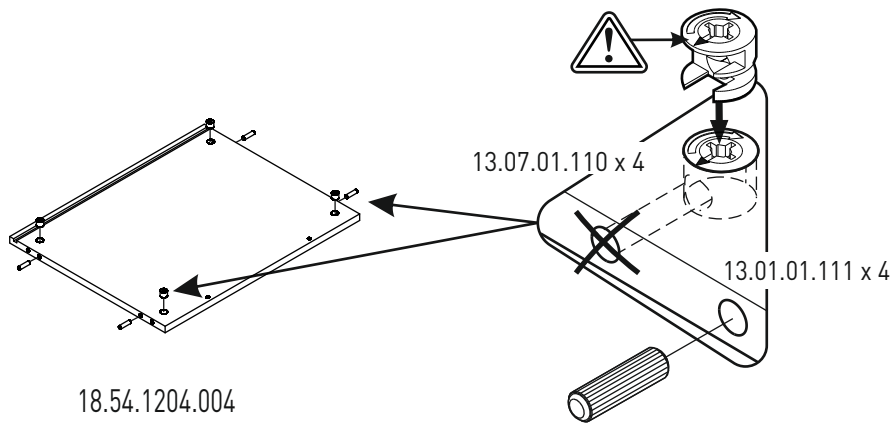


18.54.1204.020 x 3

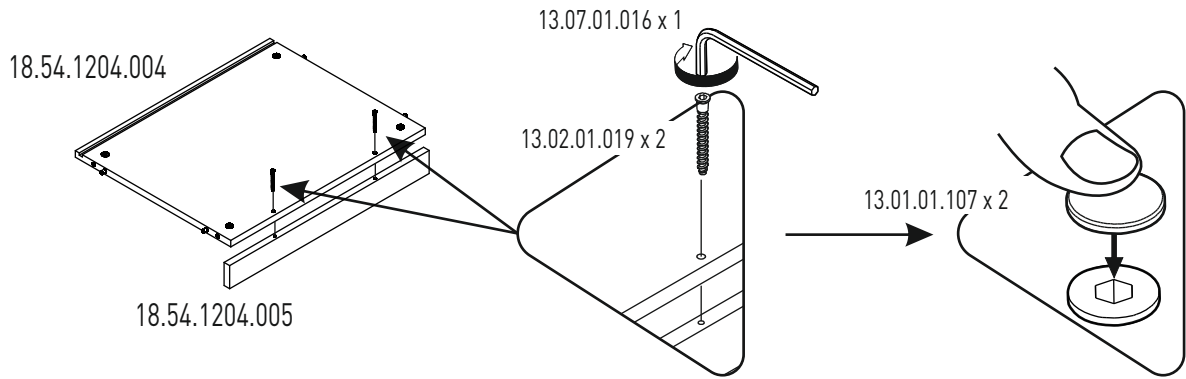


18.54.1204.019 x 1

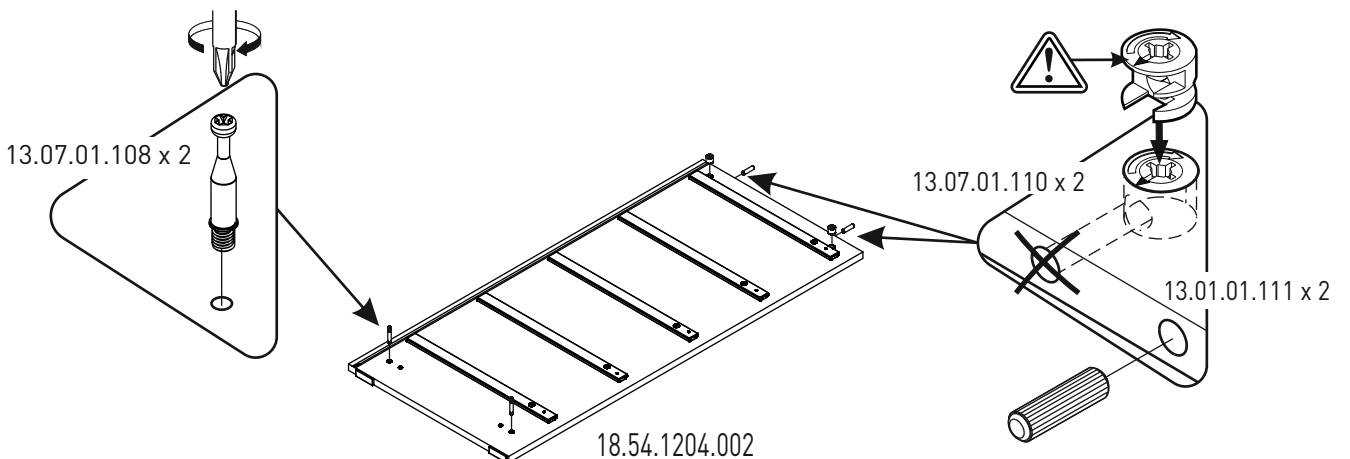
1



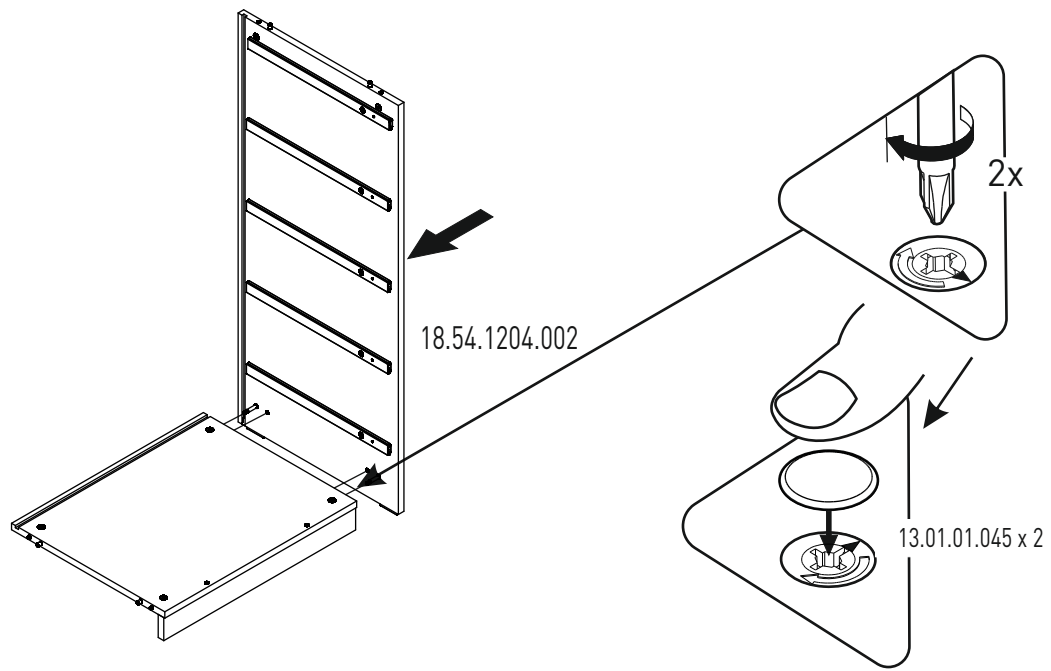
2



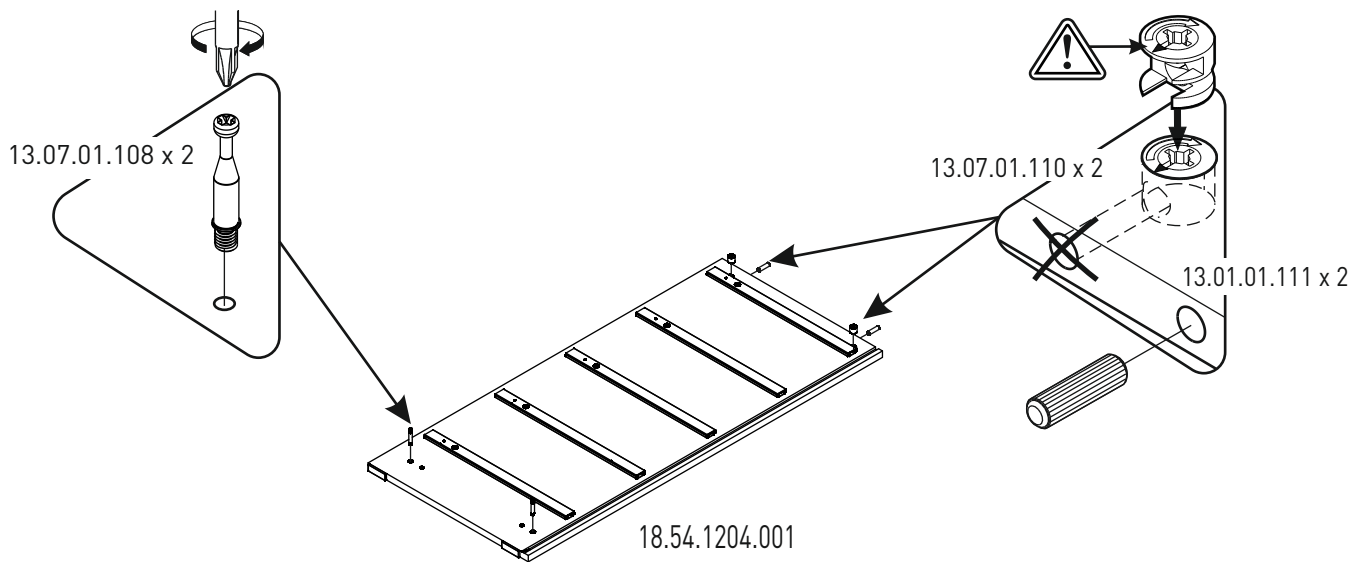
3



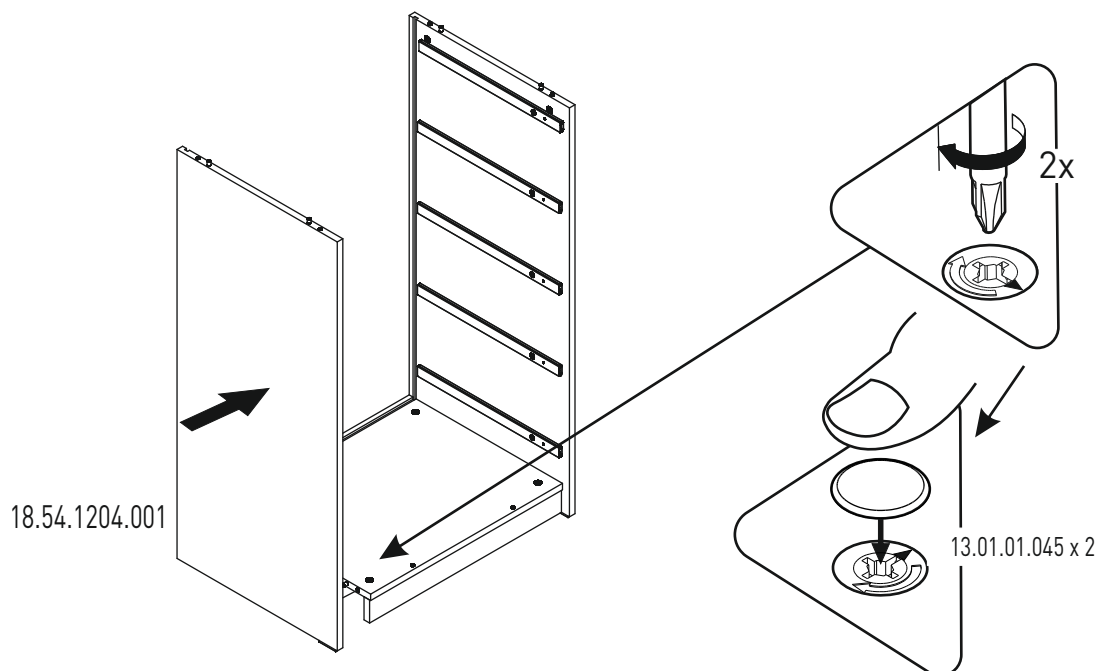
4



5

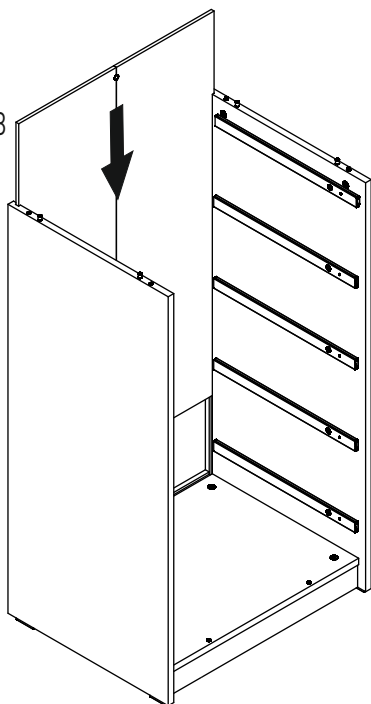


6



7

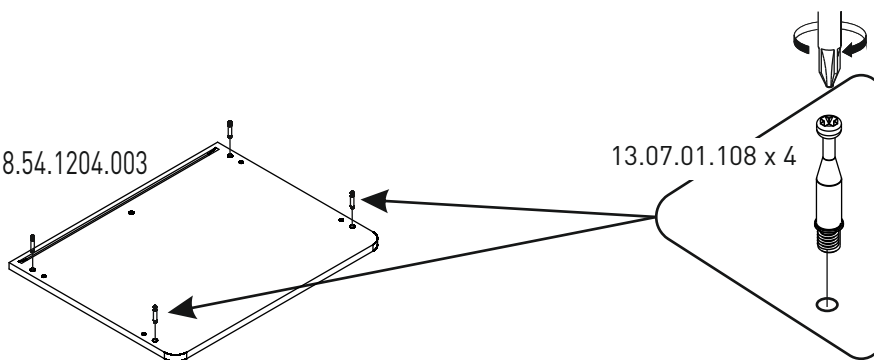
18.54.1204.018



8

18.54.1204.003

13.07.01.108 x 4

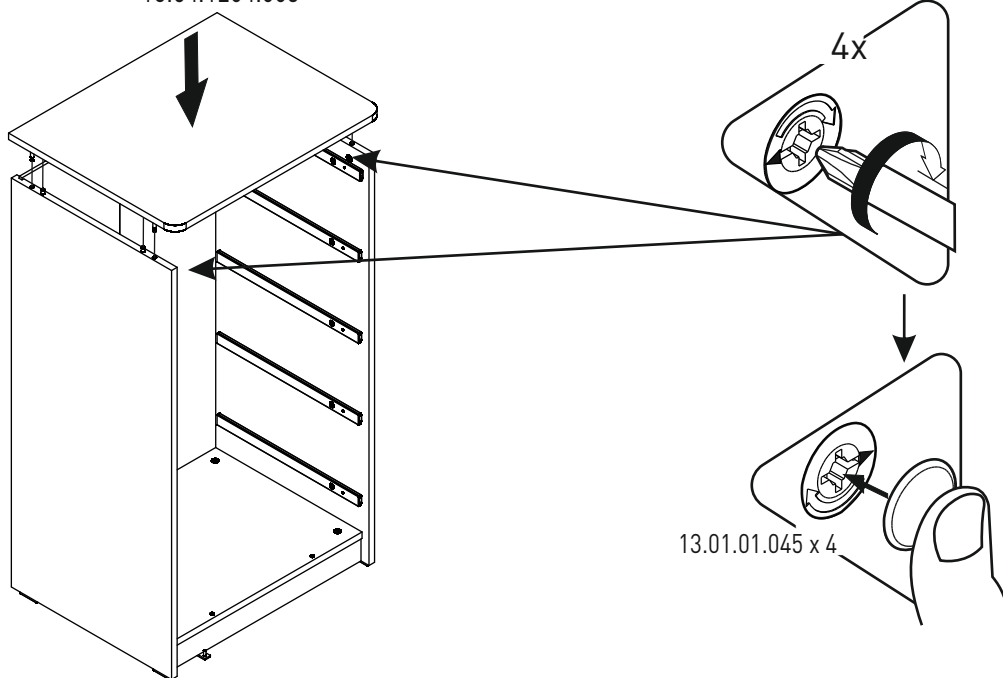


9

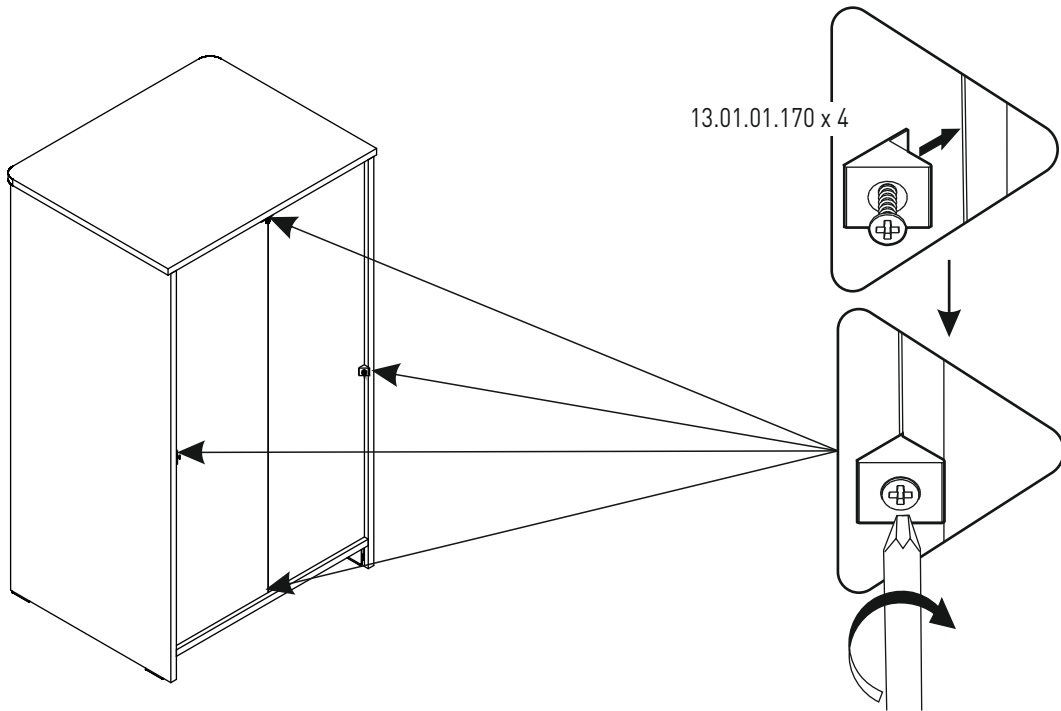
18.54.1204.003

4x

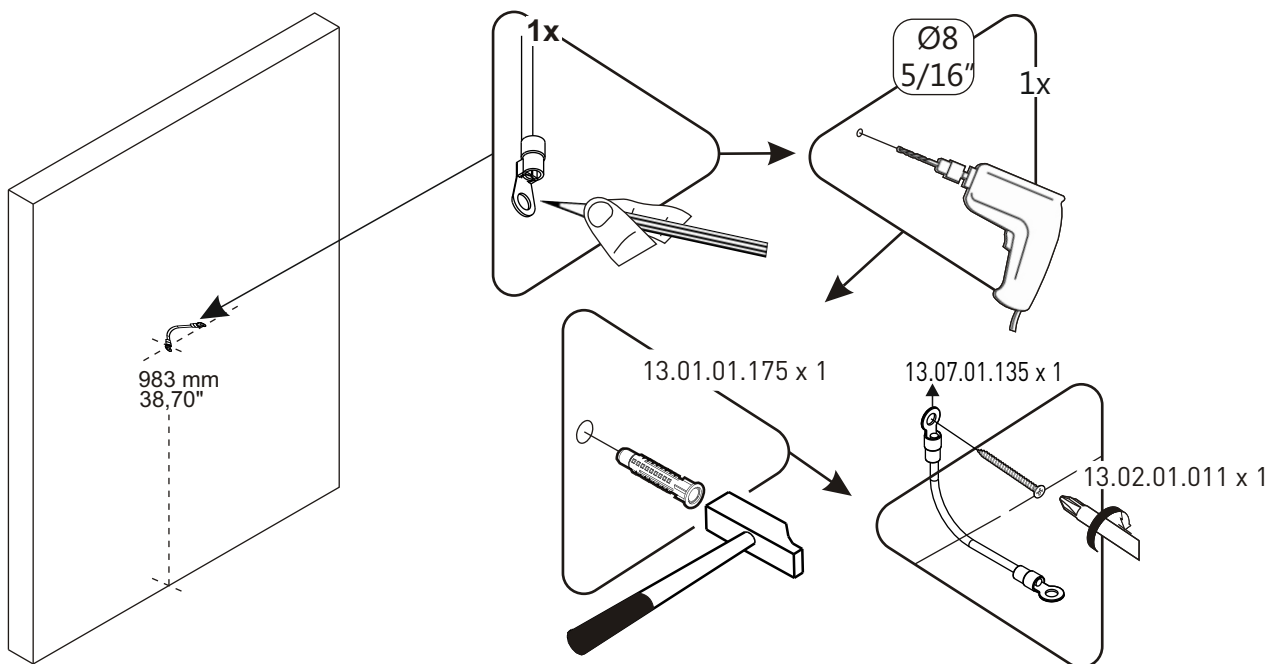
13.01.01.045 x 4



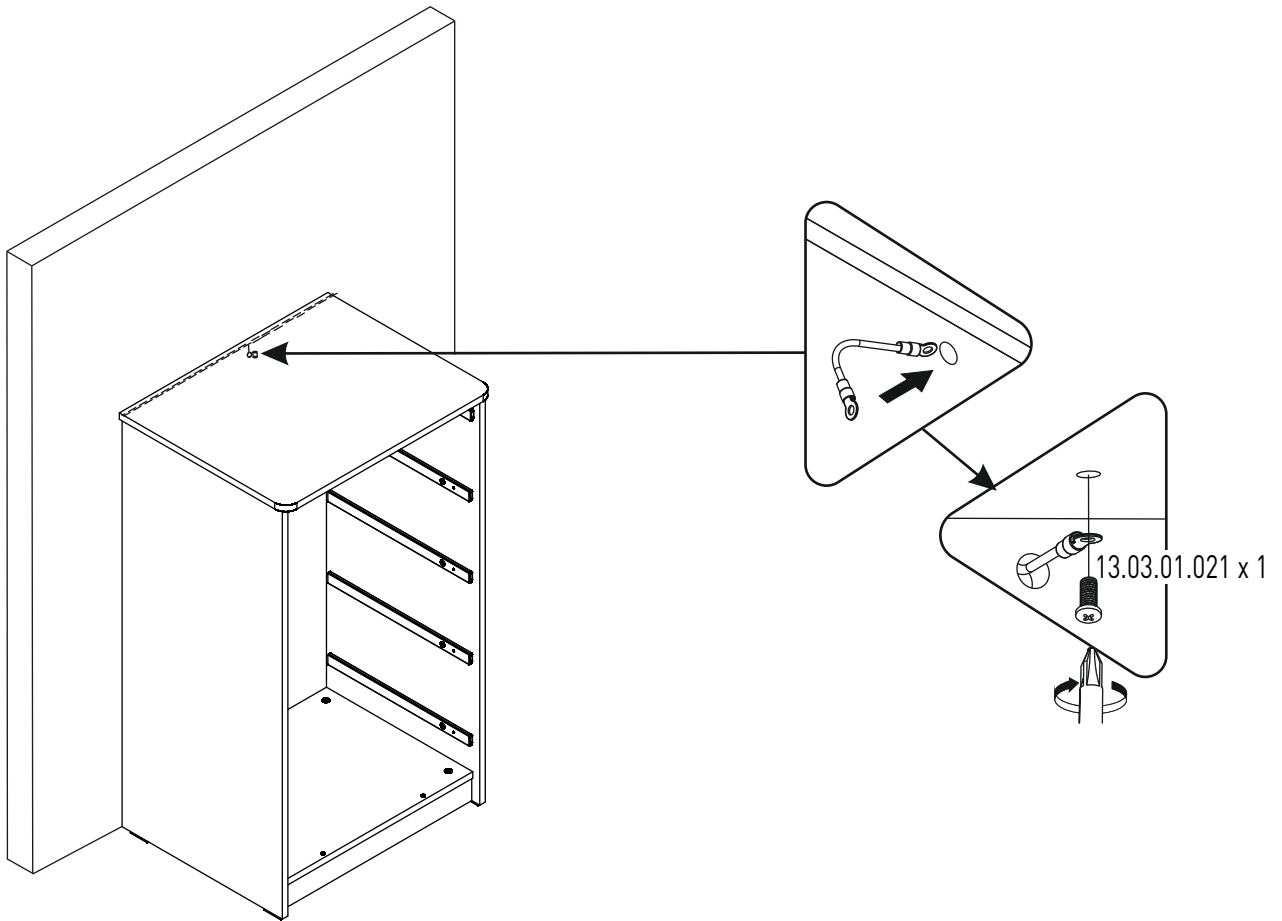
10



11



12



!

