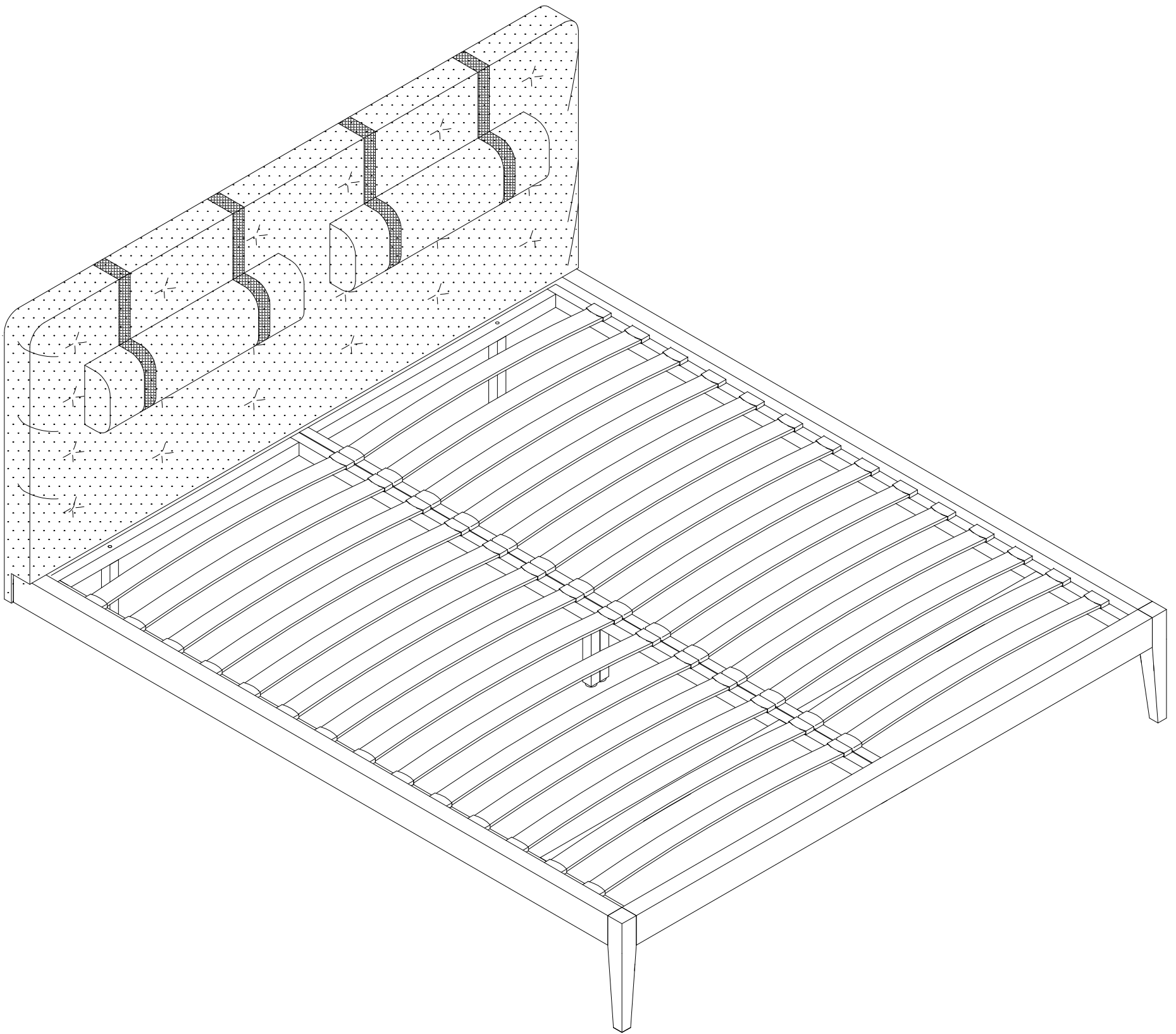
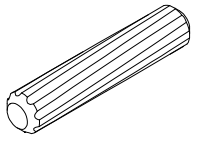
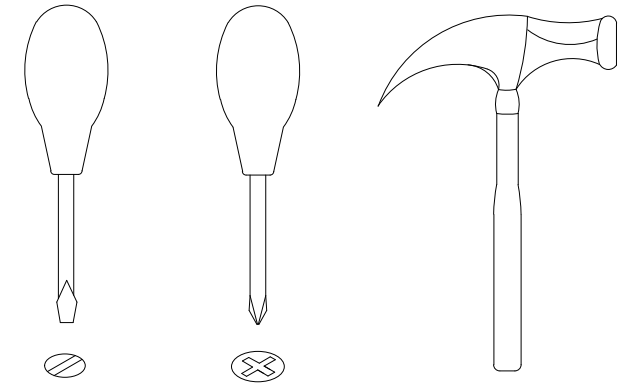
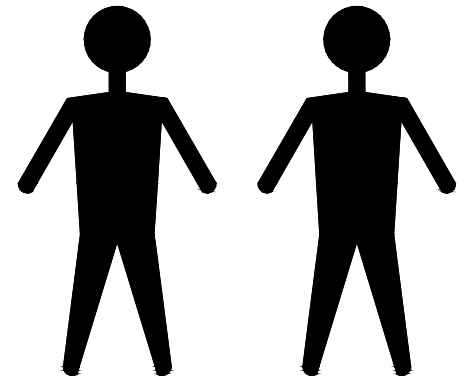


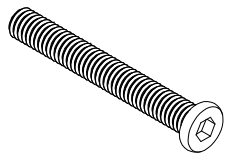
MDI. BD. MRB. 1



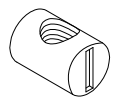
MDI. BD. MRB. 1



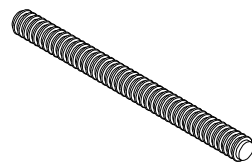
A x12
Spec: $\phi 10 * L40$



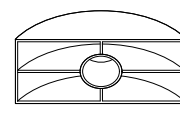
B x4
Spec: $5/16 * L55$



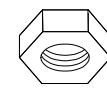
C x4
Spec: $5/16 * H18$



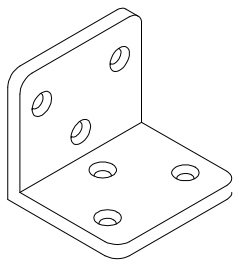
D x2
Spec: $M8 * L95$



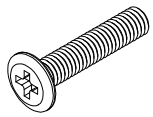
E x2
Spec:



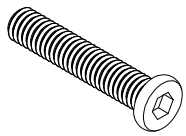
F x2
Spec: M8



G x2
Spec: $50 * 45 * 45$



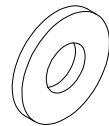
H x16
Spec: $M6 * L45$



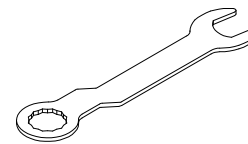
I x4
Spec: $5/16 * L60$



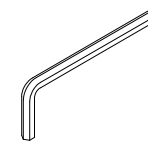
J x4
Spec: $\phi 8 * \phi 14$



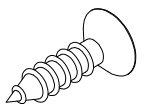
K x20
Spec: $\phi 8 * \phi 18$



L x1
Spec: 14#



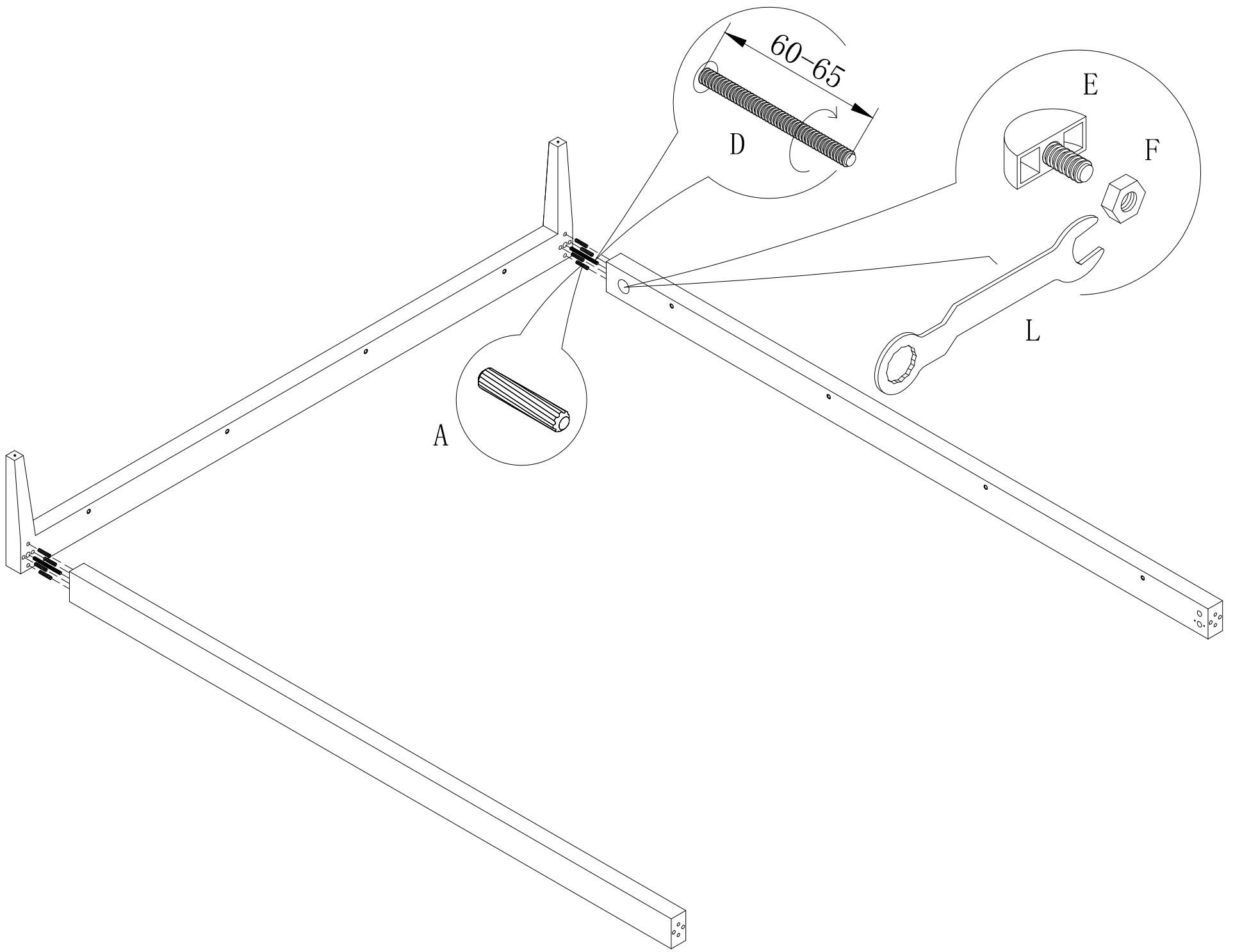
M x1
Spec: 5#



N x12
Spec: $3.8 * L16$

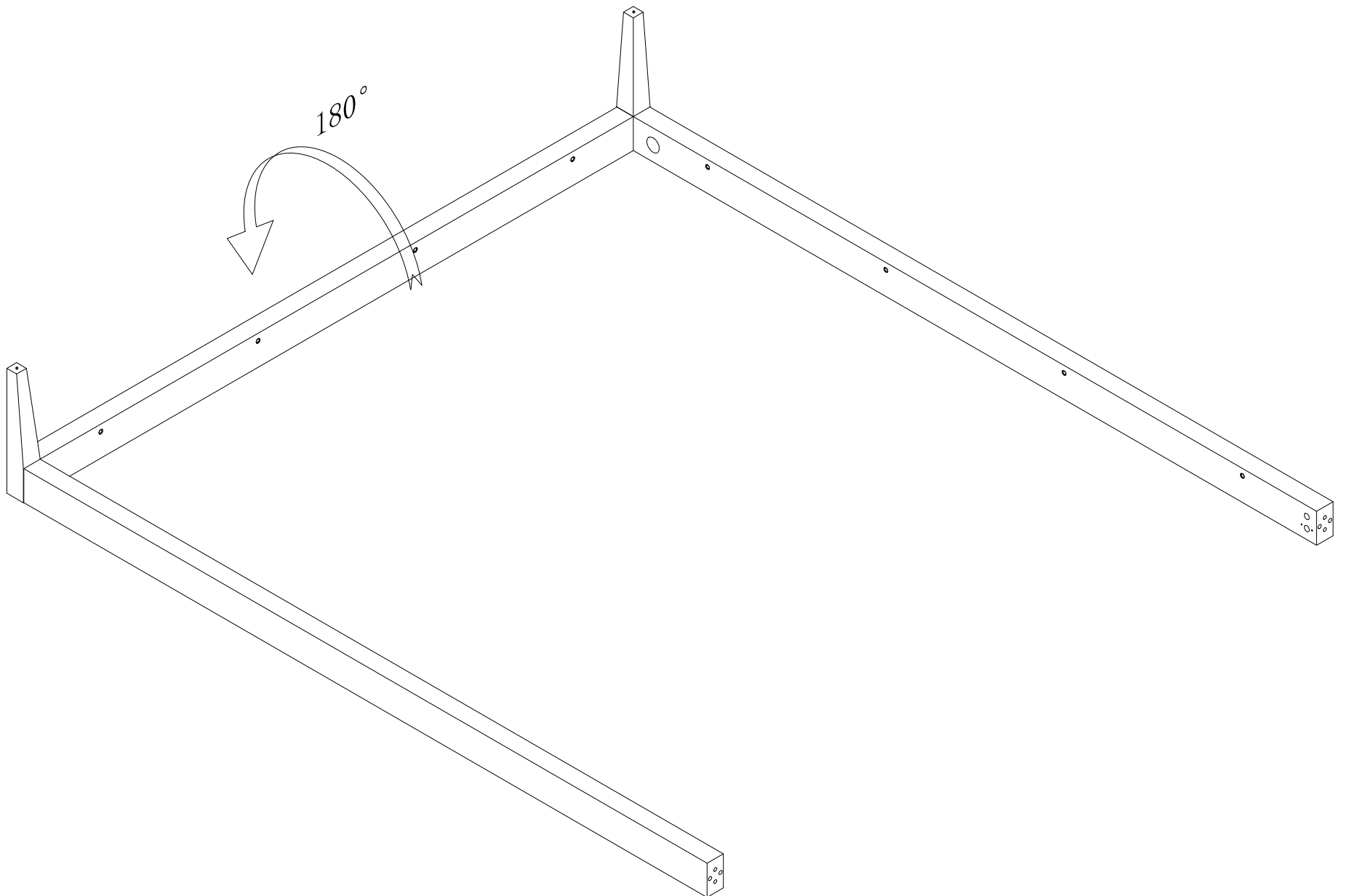


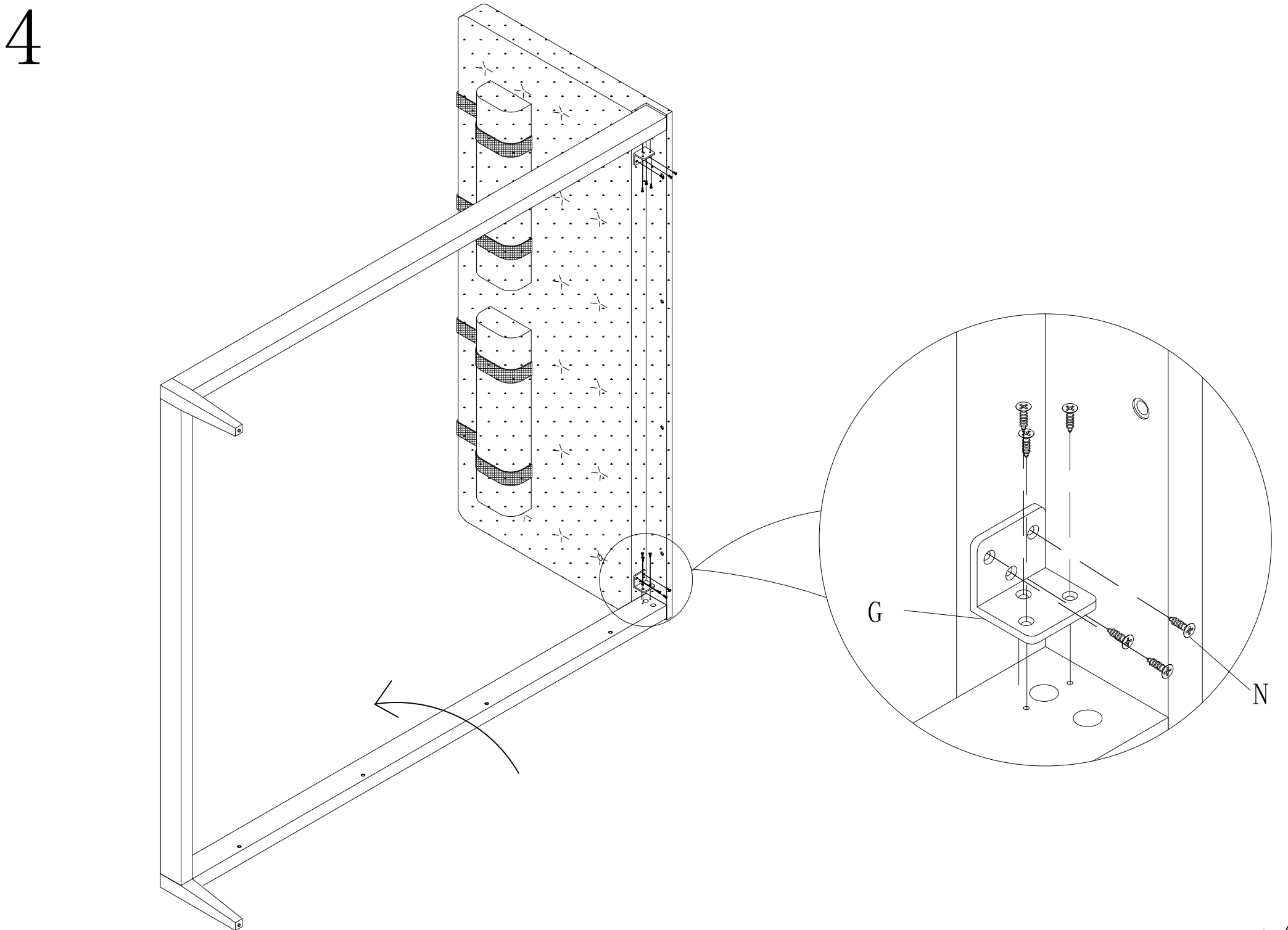
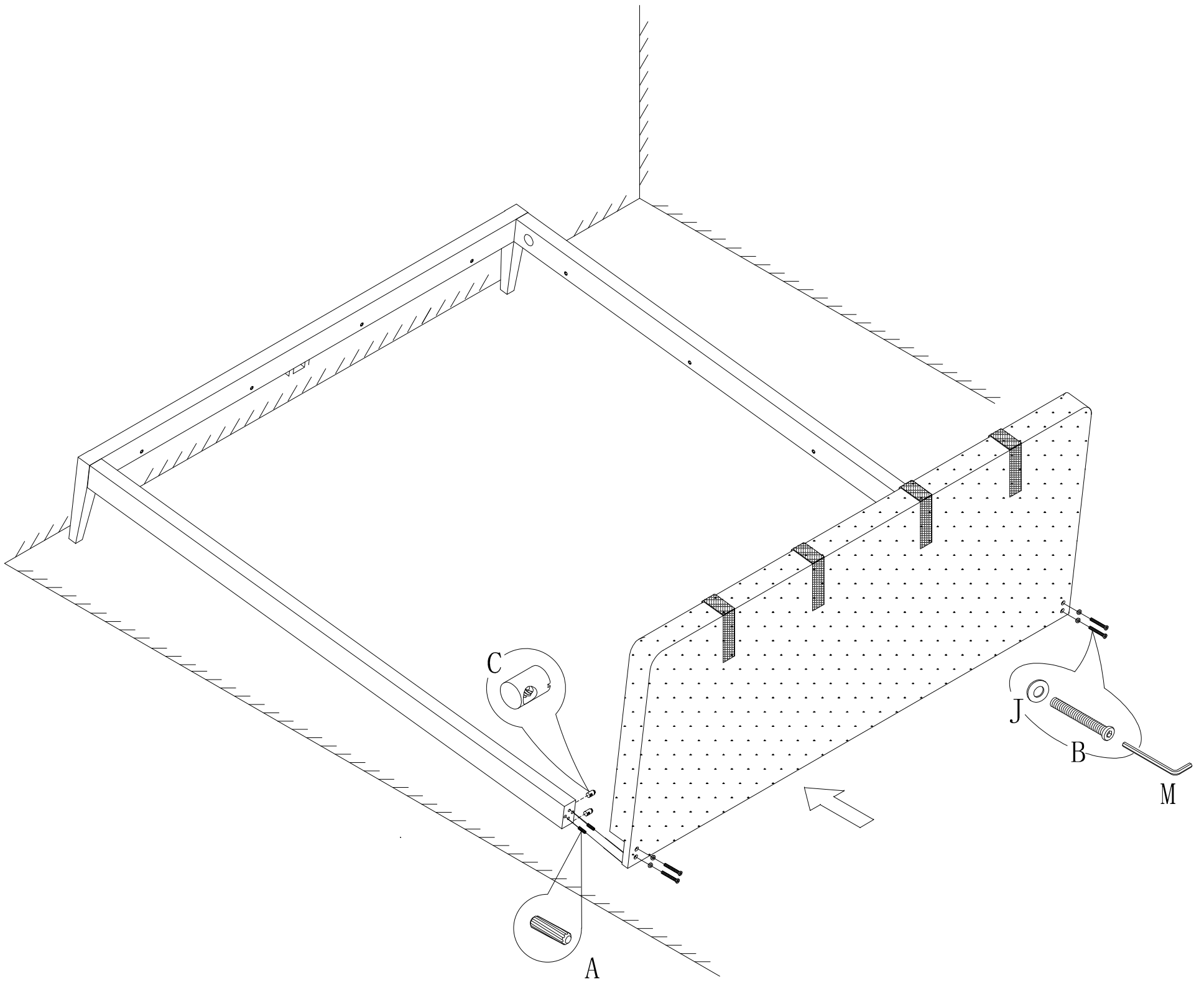
O x4
Spec: L240



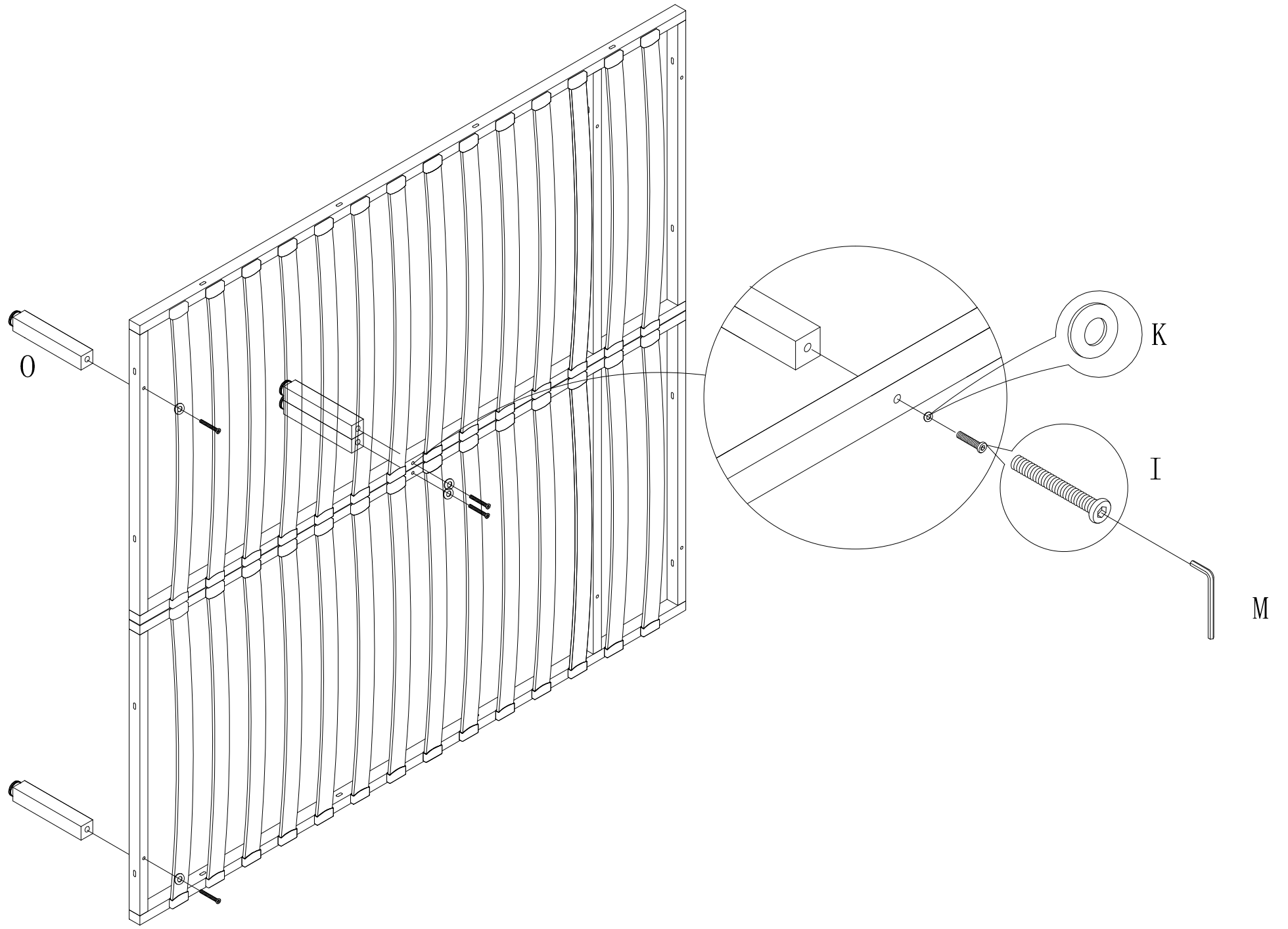
1

2





5



6

