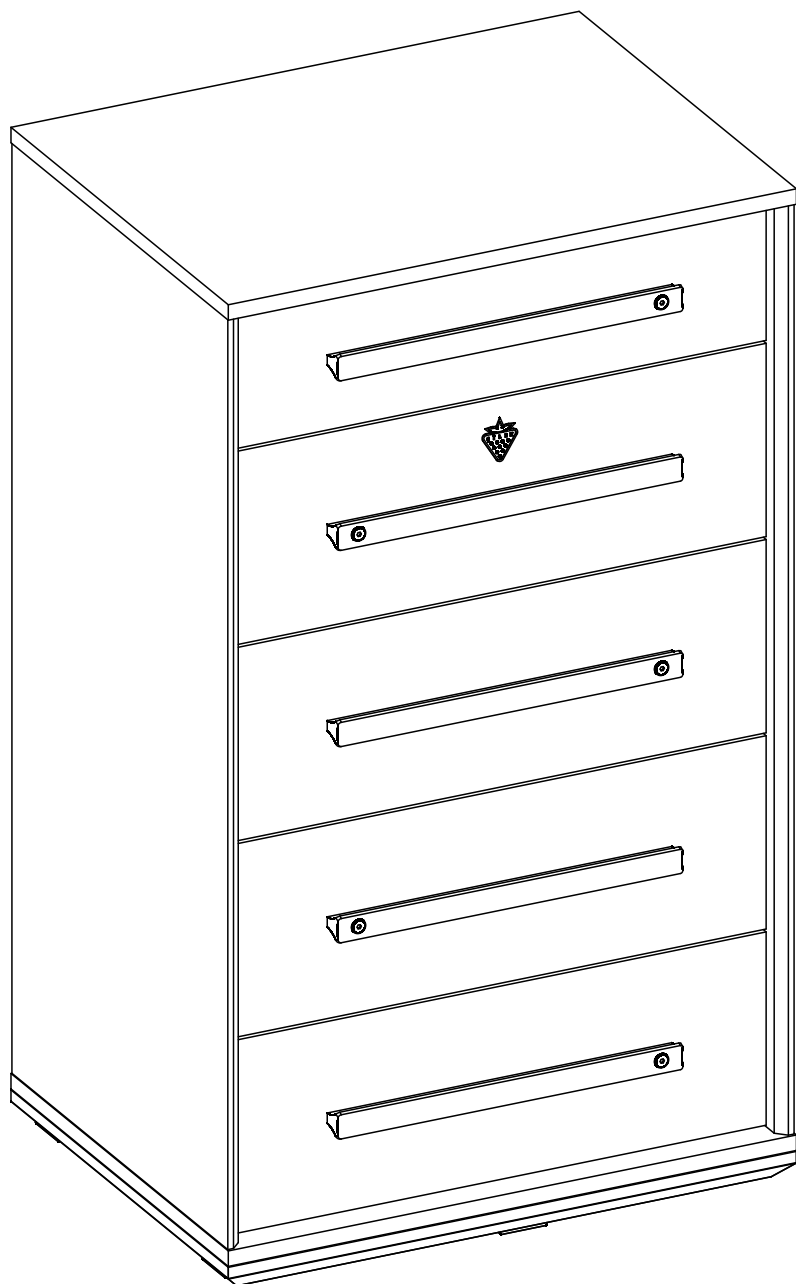
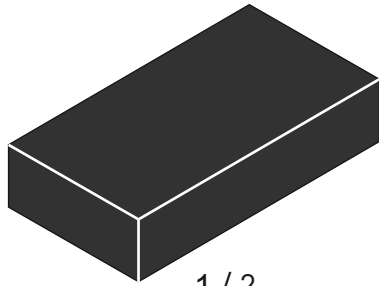
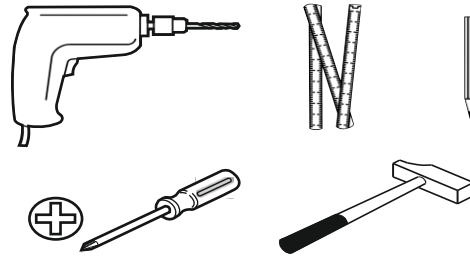
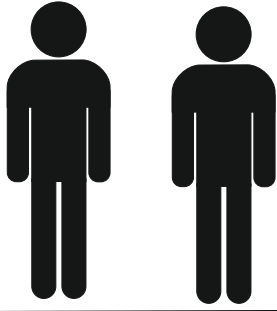
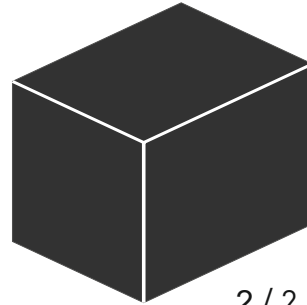


20.40.1204.00

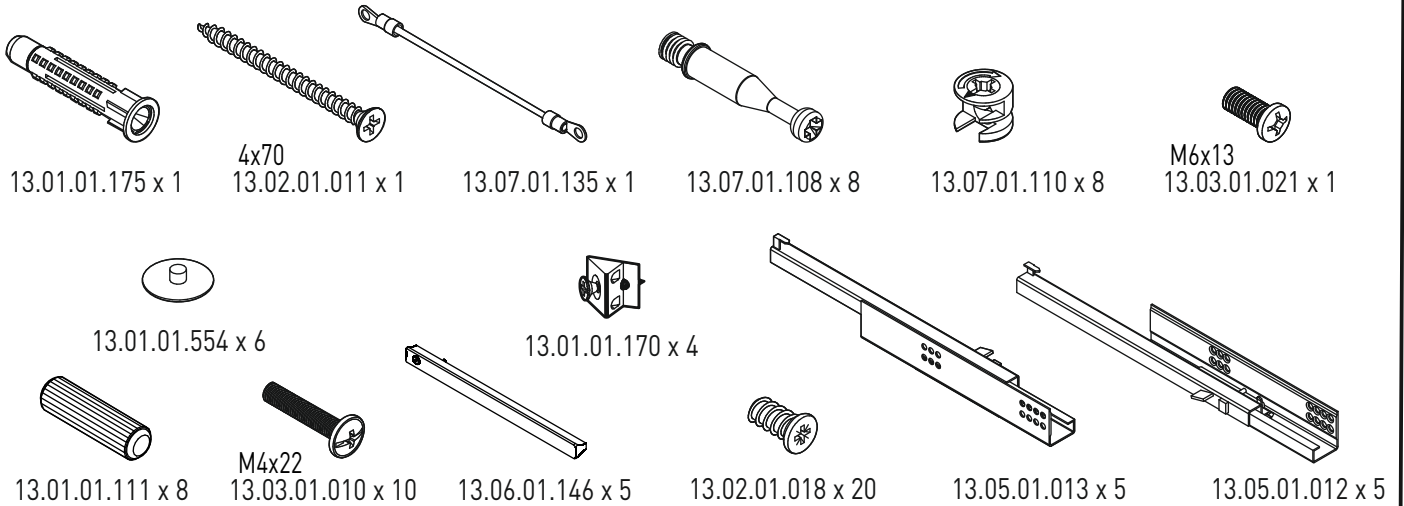




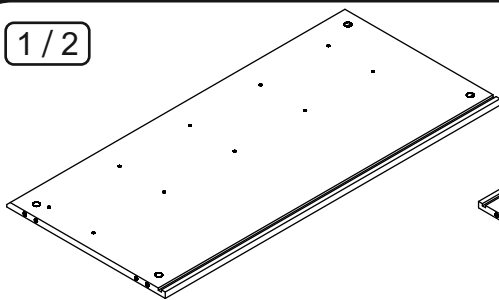
1 / 2



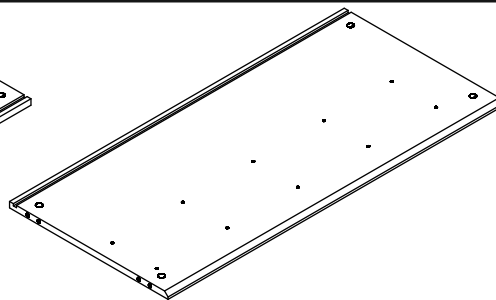
2 / 2



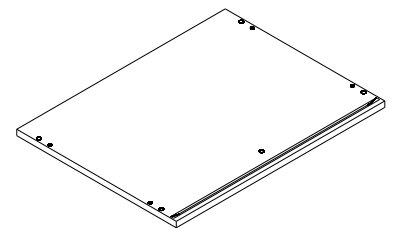
1 / 2



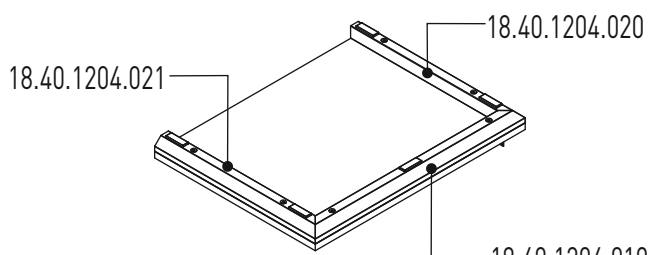
18.40.1204.001 x 1



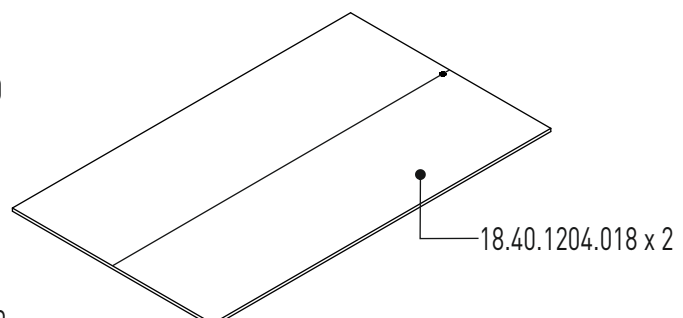
18.40.1204.002 x 1



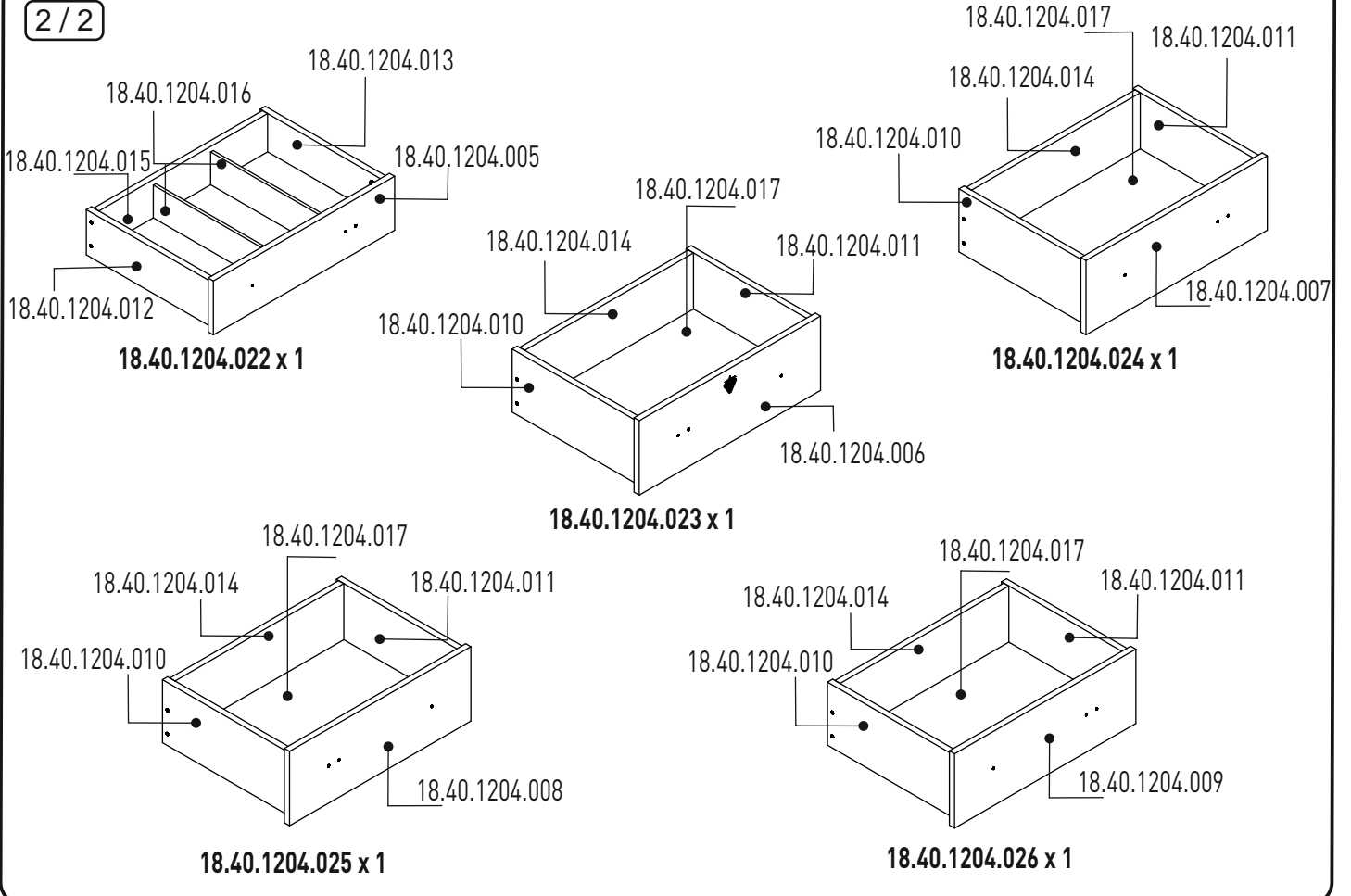
18.40.1204.003 x 1



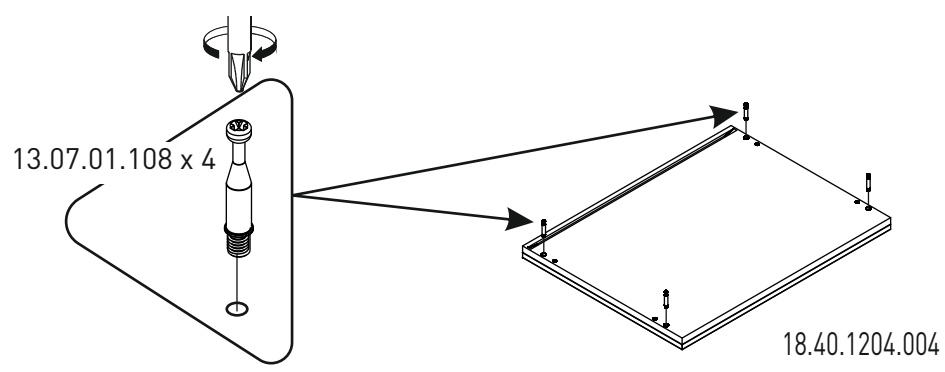
18.40.1204.004 x 1



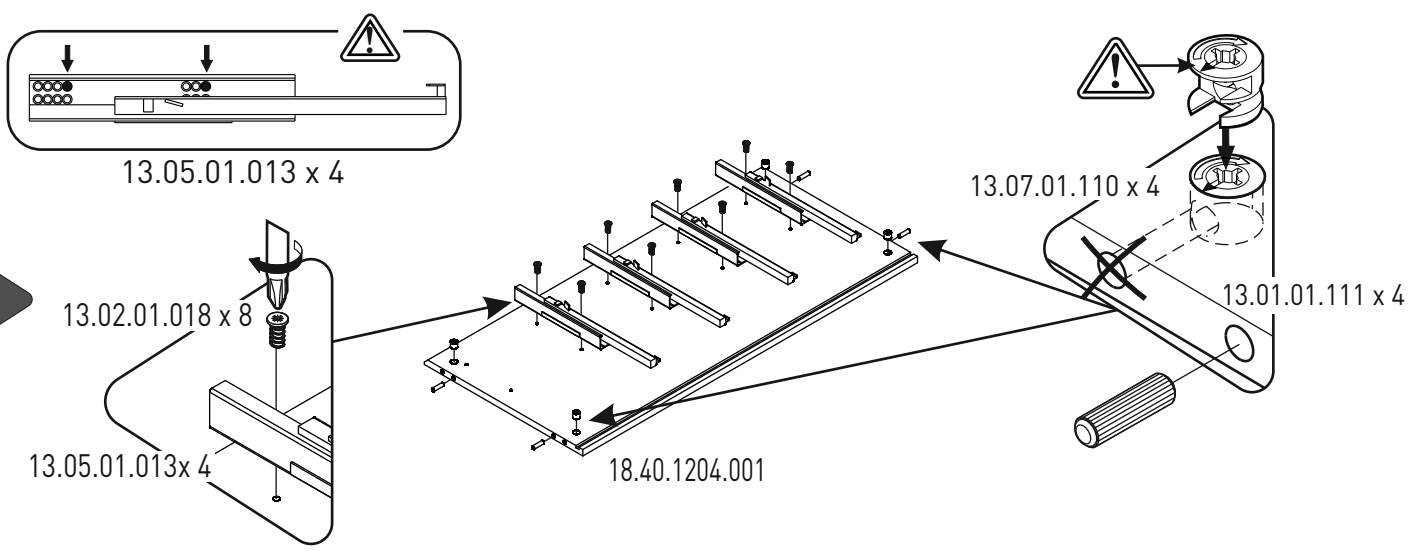
18.40.1204.027 x 1

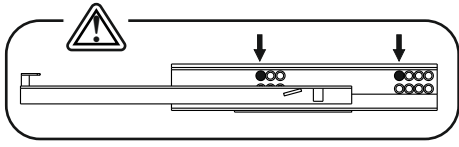


1

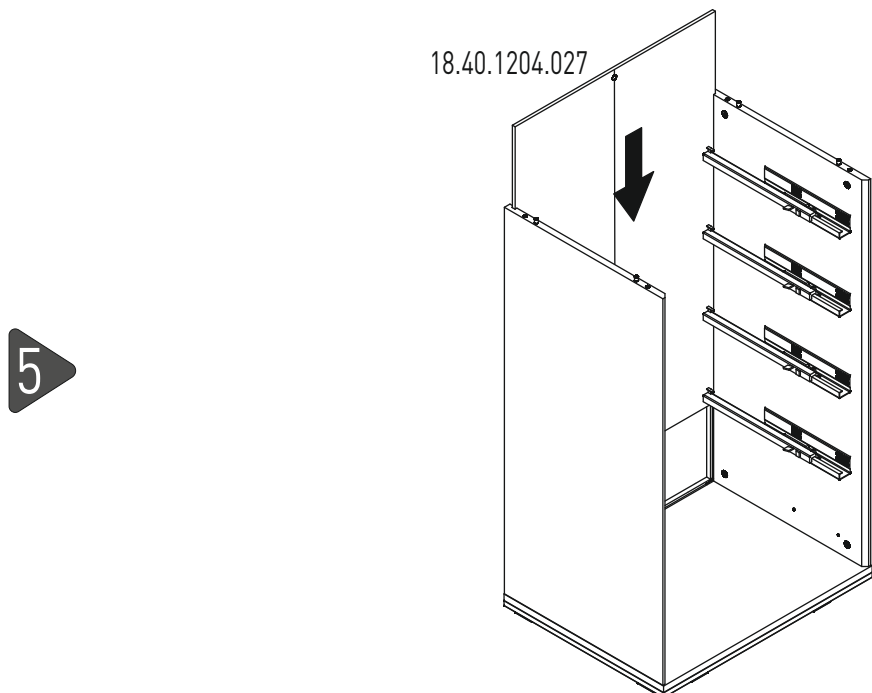
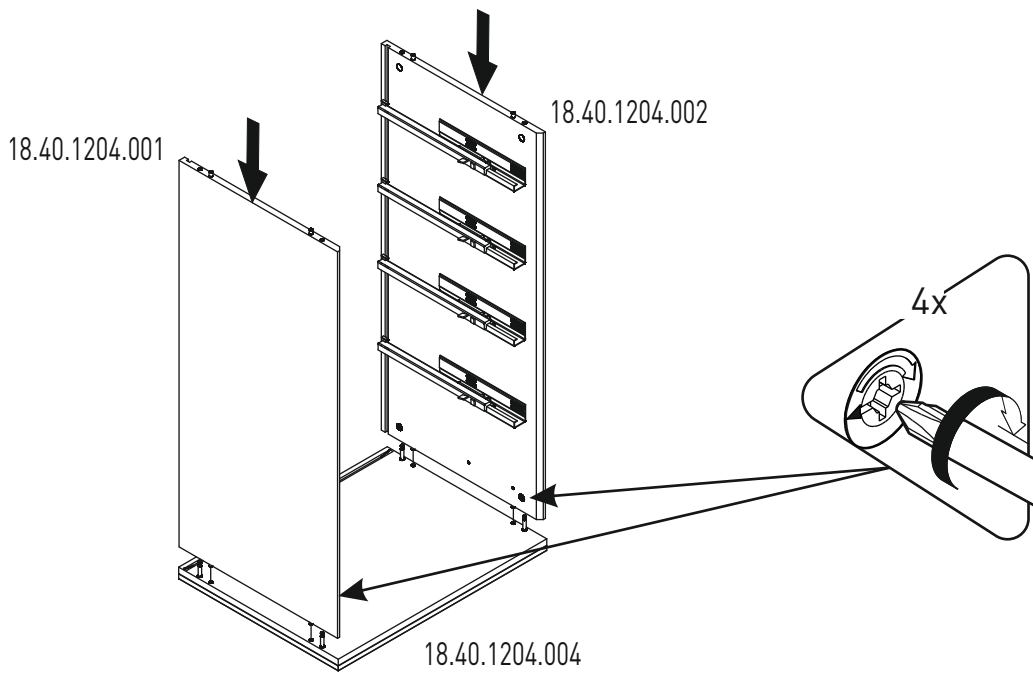
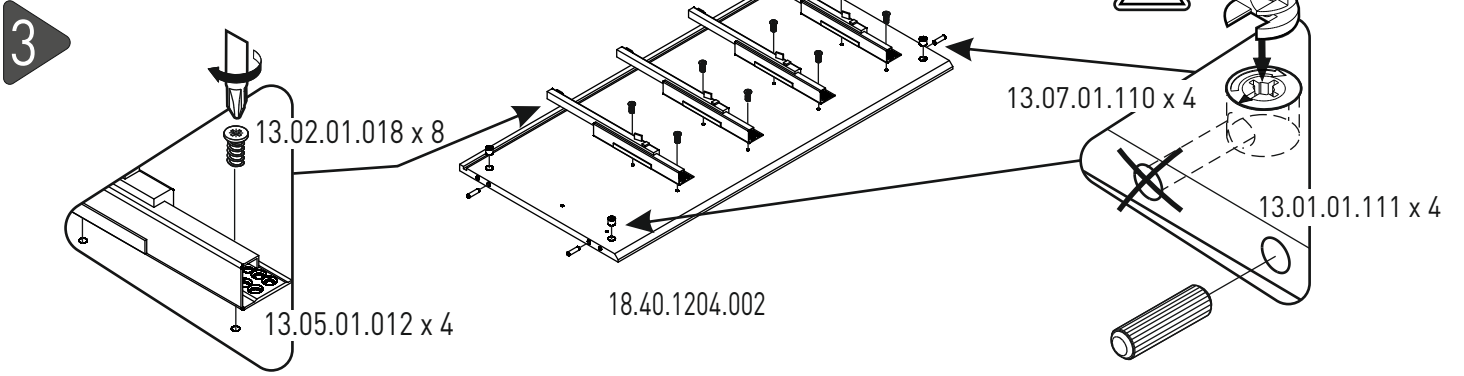


2

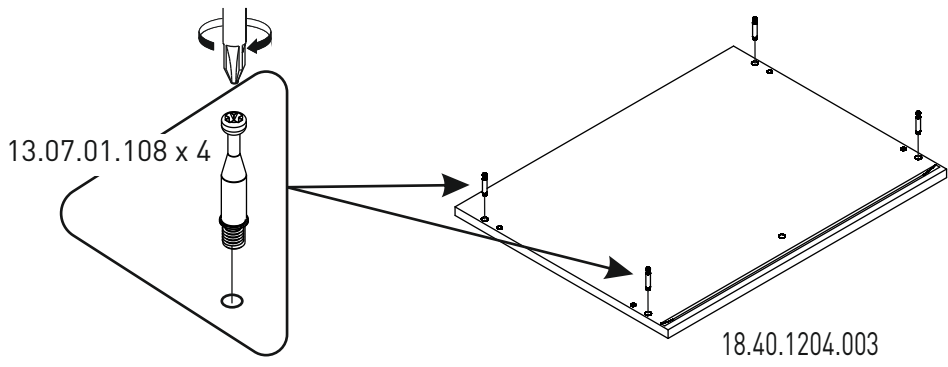




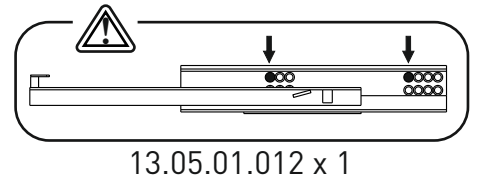
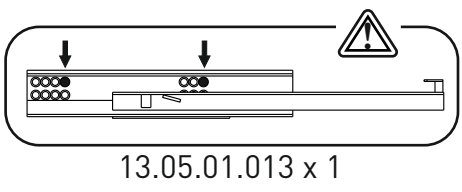
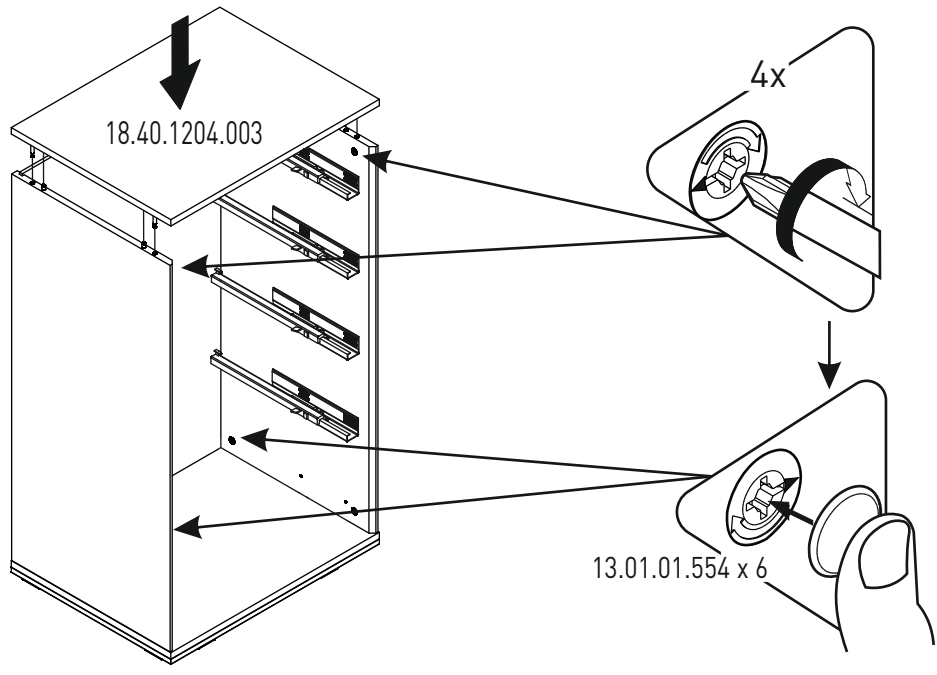
13.05.01.012 x 4



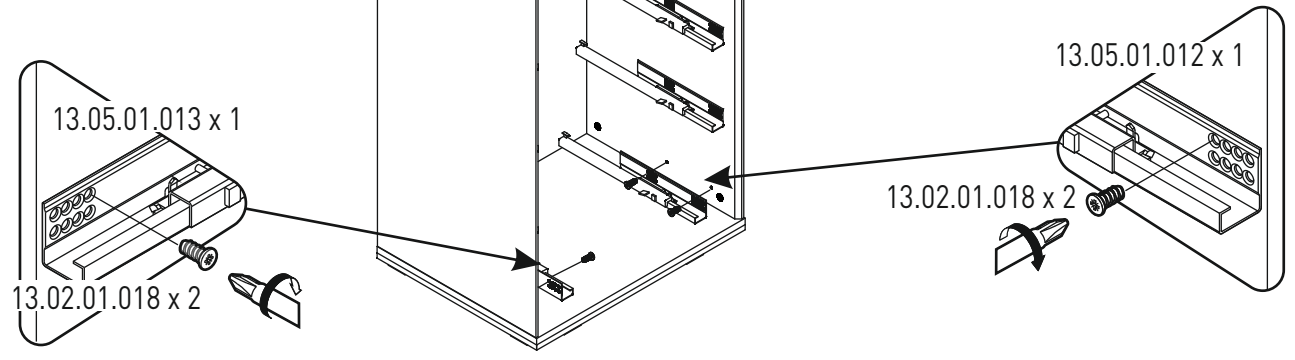
6



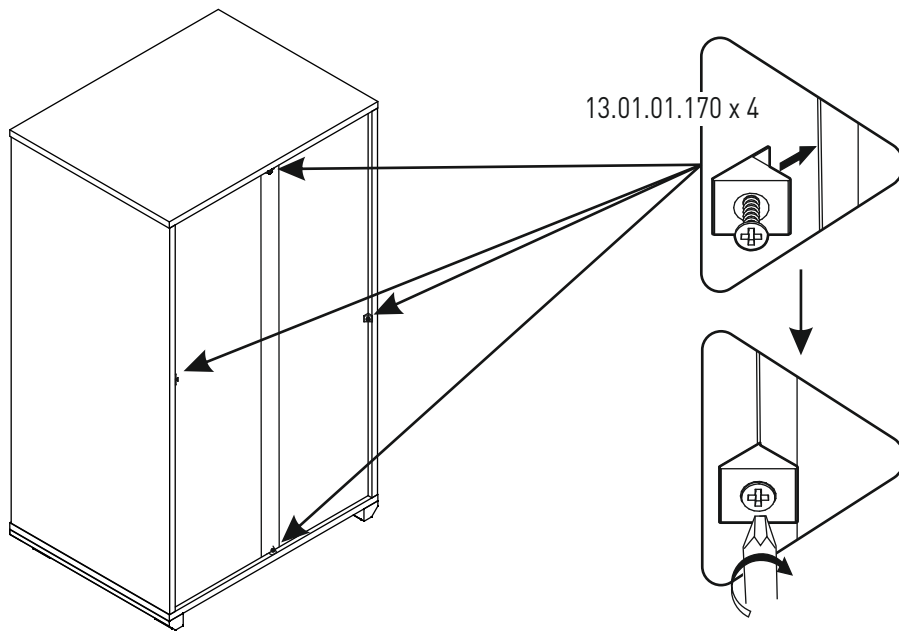
7



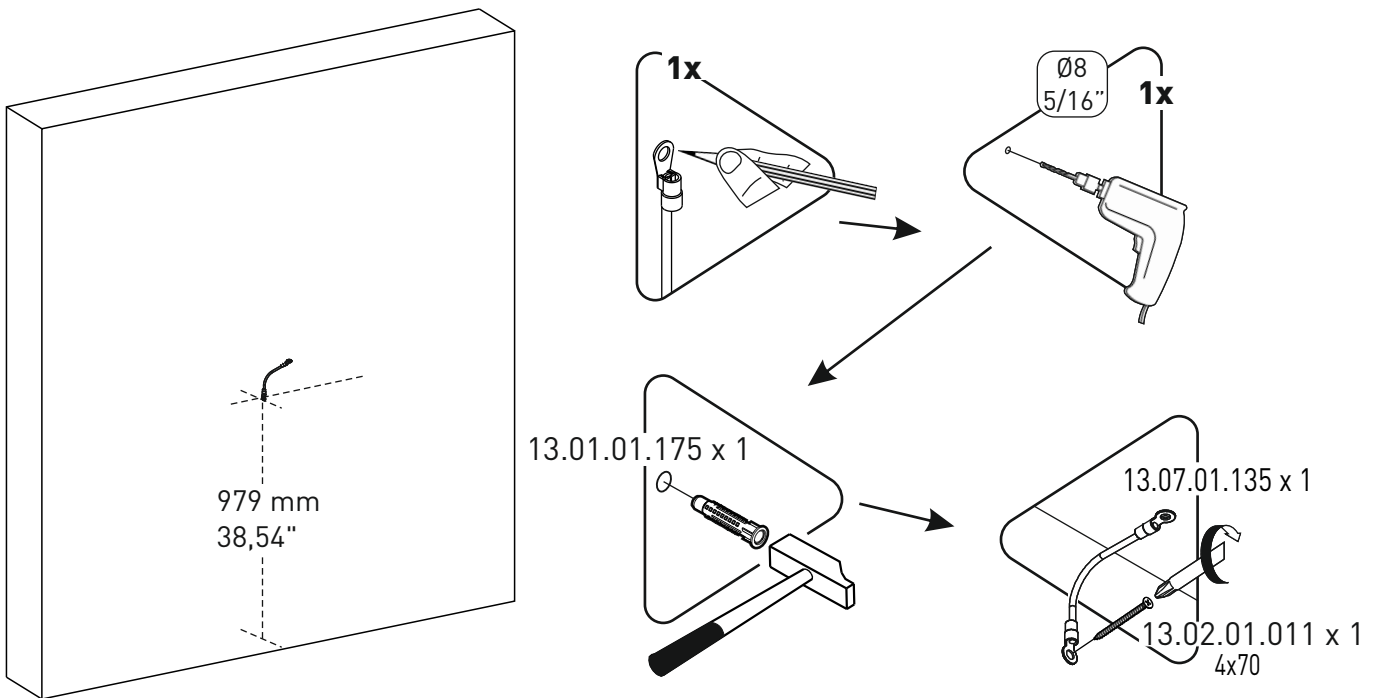
8



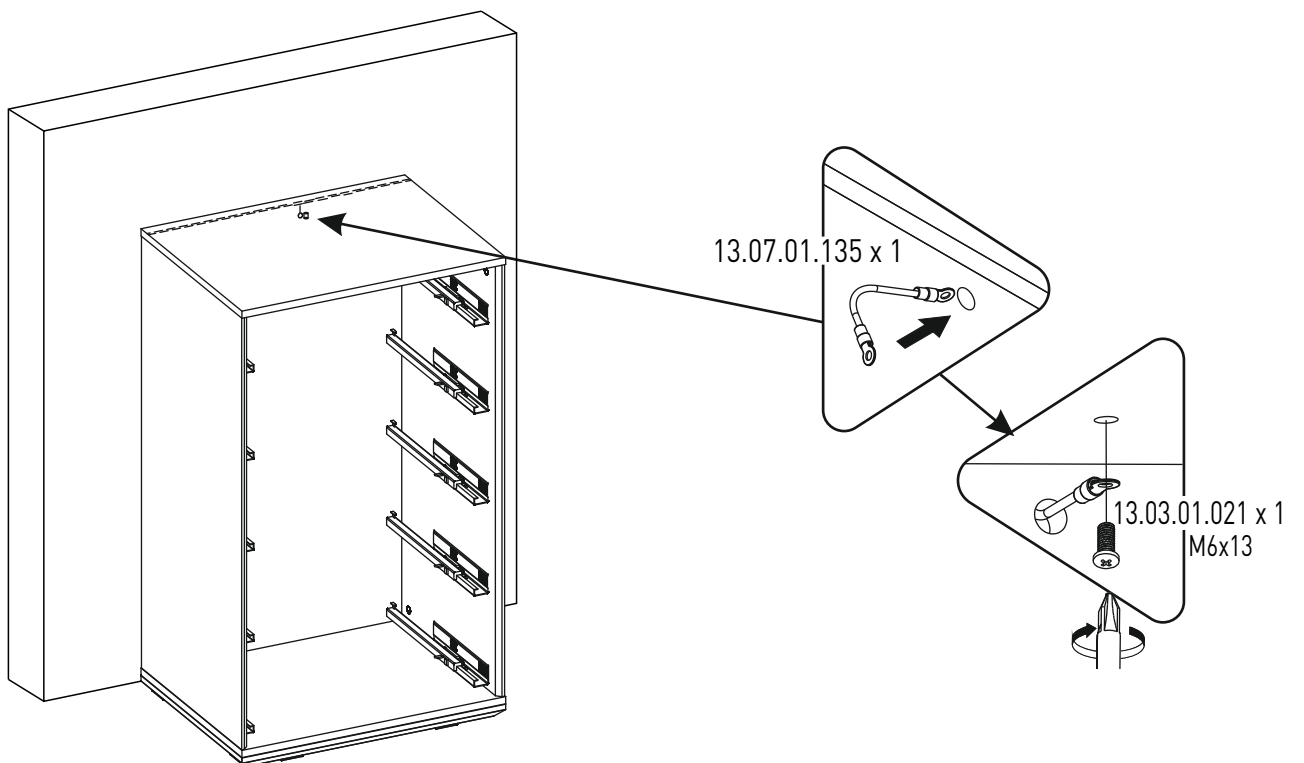
9

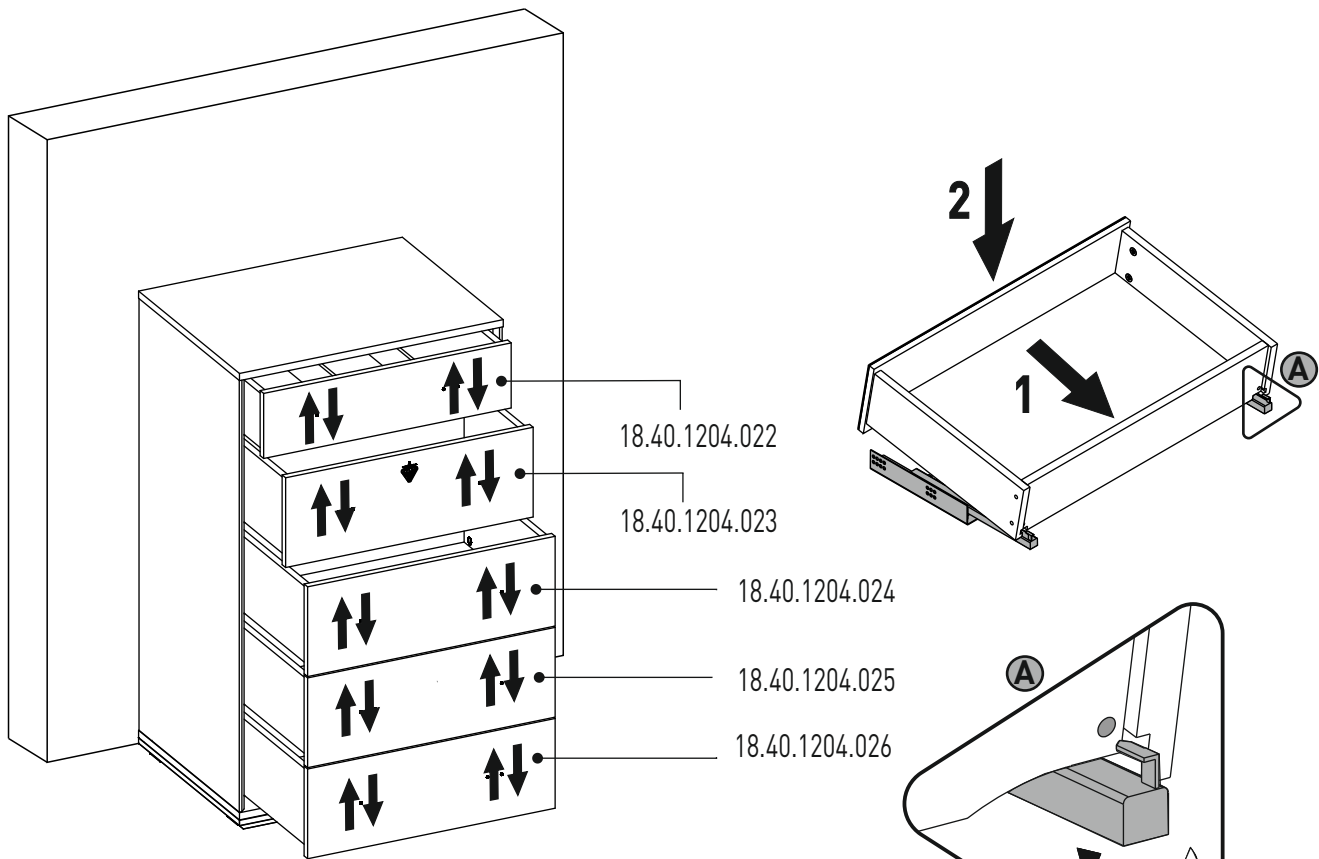


10

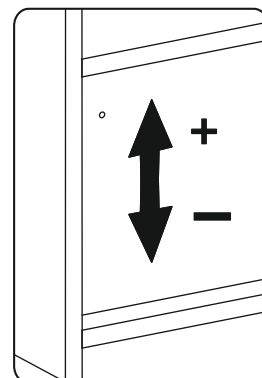
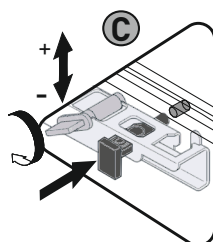
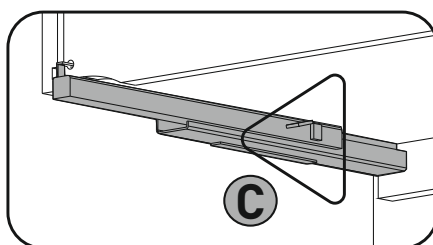
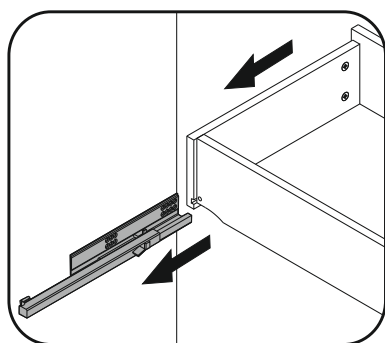
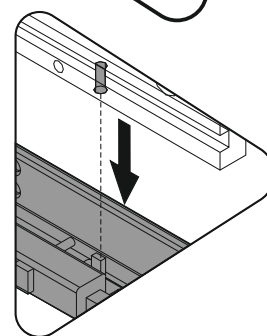
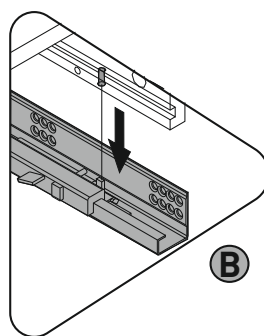
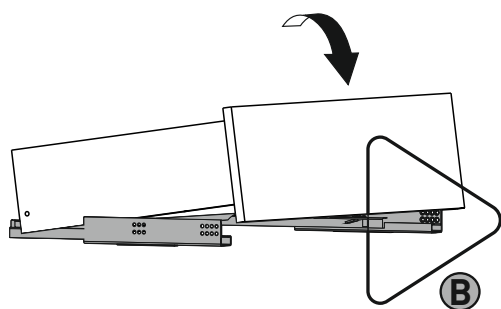


11





12



13

