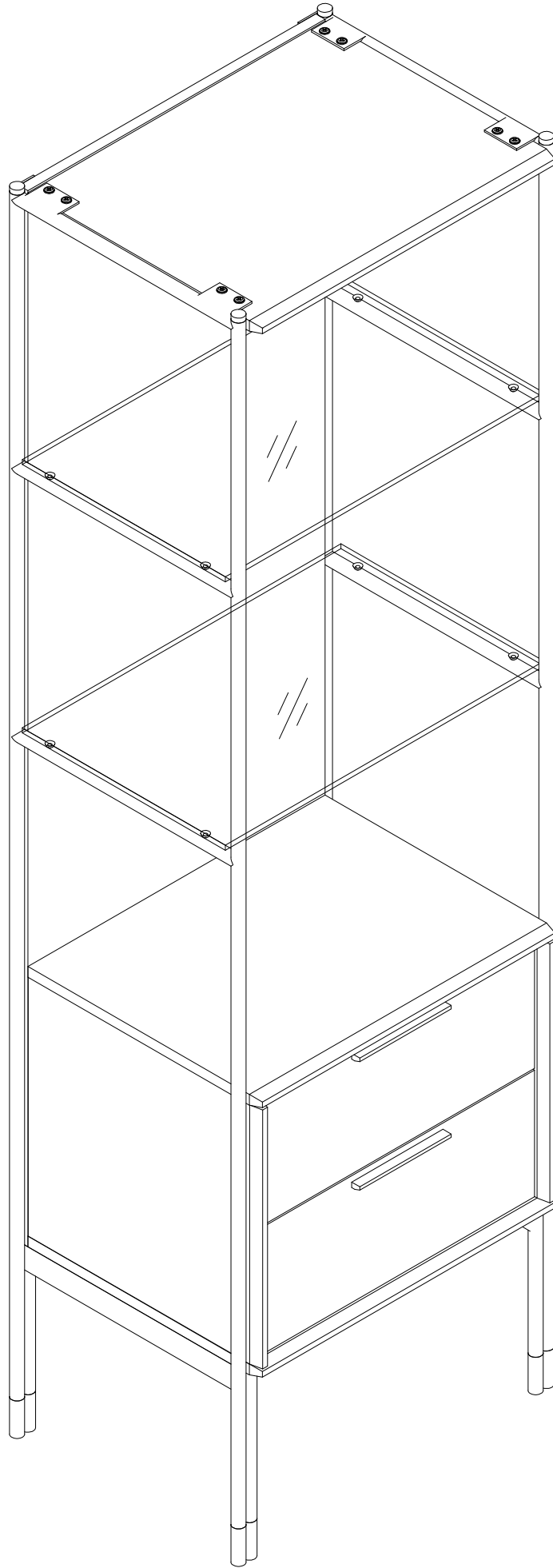
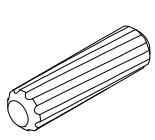
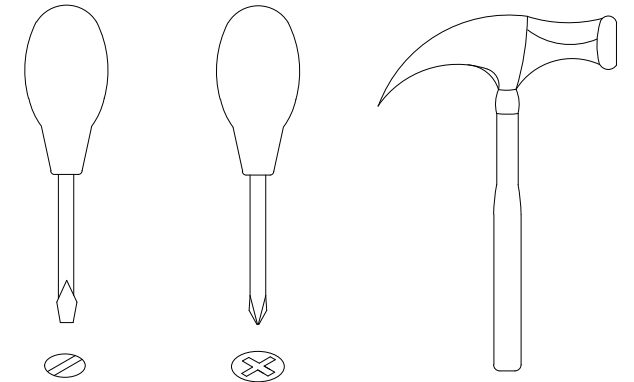
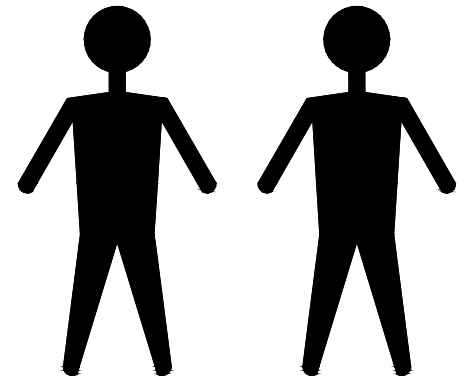


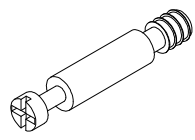
MDI. DC. BS. 14



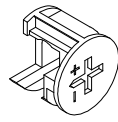
MDI. DC. BS. 14



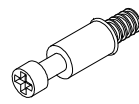
A x10
Spec: $\phi 8 * 30$



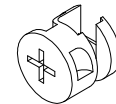
B x12
Spec: $\phi 7 * L30$



C x12
Spec: $\phi 15 * H12$



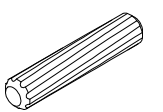
D x8
Spec: $\phi 6 * L28$



E x8
Spec: $\phi 12 * H9$



F x12
Spec: $\phi 6 * L9$



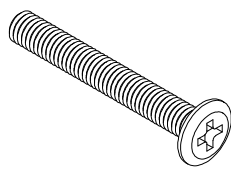
H x8
Spec: $\phi 6 * 30$



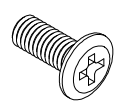
I x22
Spec: $\phi 14 * \phi 8$



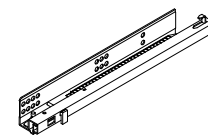
J x8
Spec:



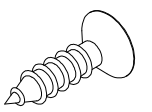
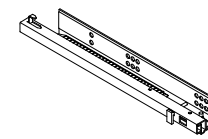
K x6
Spec: M6*50



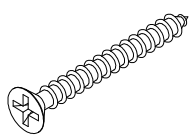
L x16
Spec: M6*15



M x2
Spec: L350



N x18
Spec: 3.8*L16



P x8
Spec: $\phi 3.5 * L35$



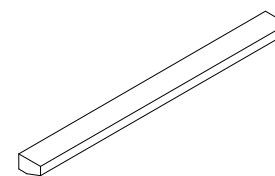
Q x8
Spec: $\phi 15$



R x10
Spec:



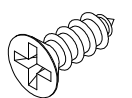
S x10
Spec:



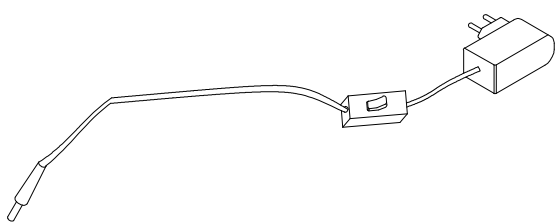
T x2
Spec: 169*15



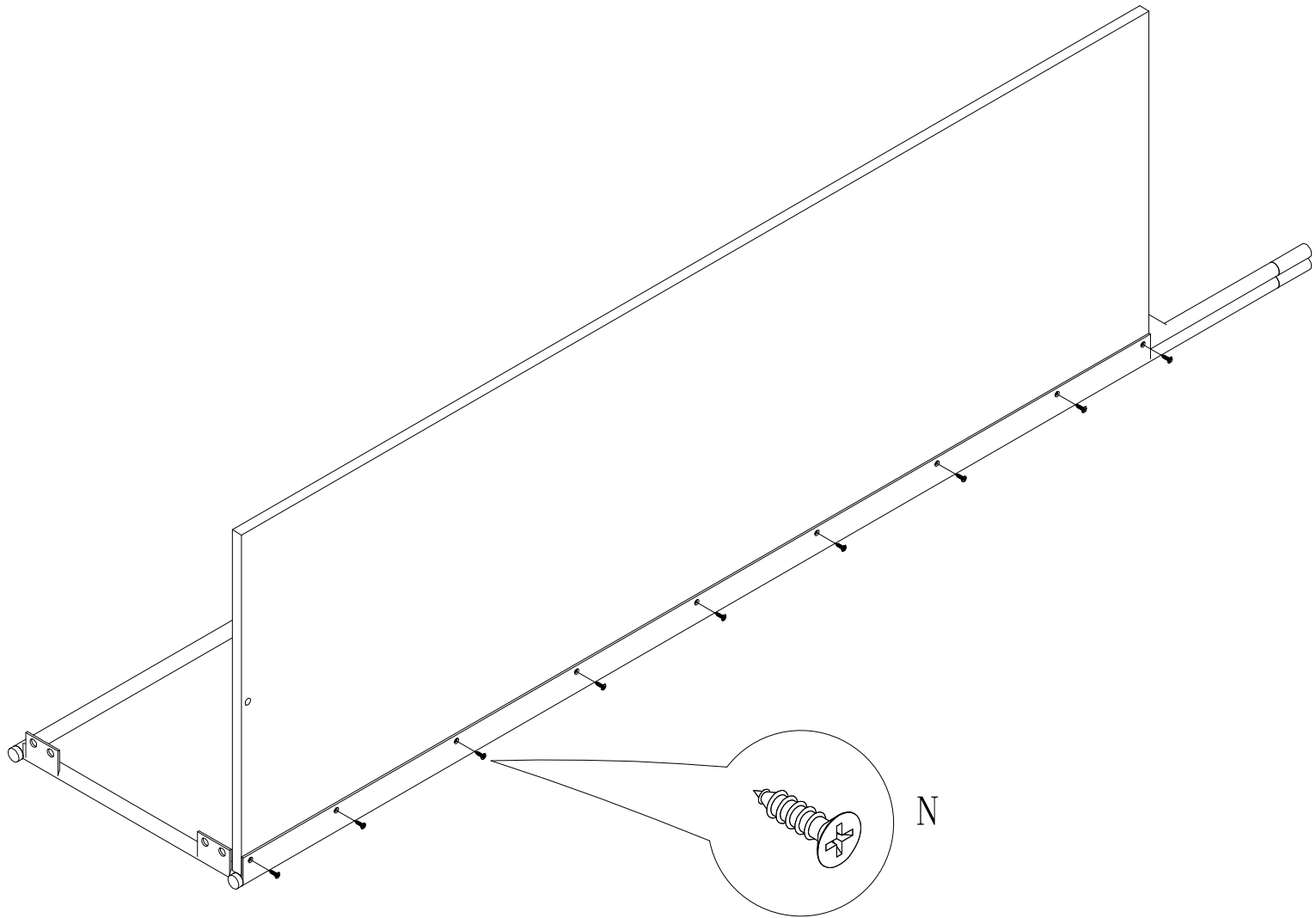
U x4
Spec: M4*L21



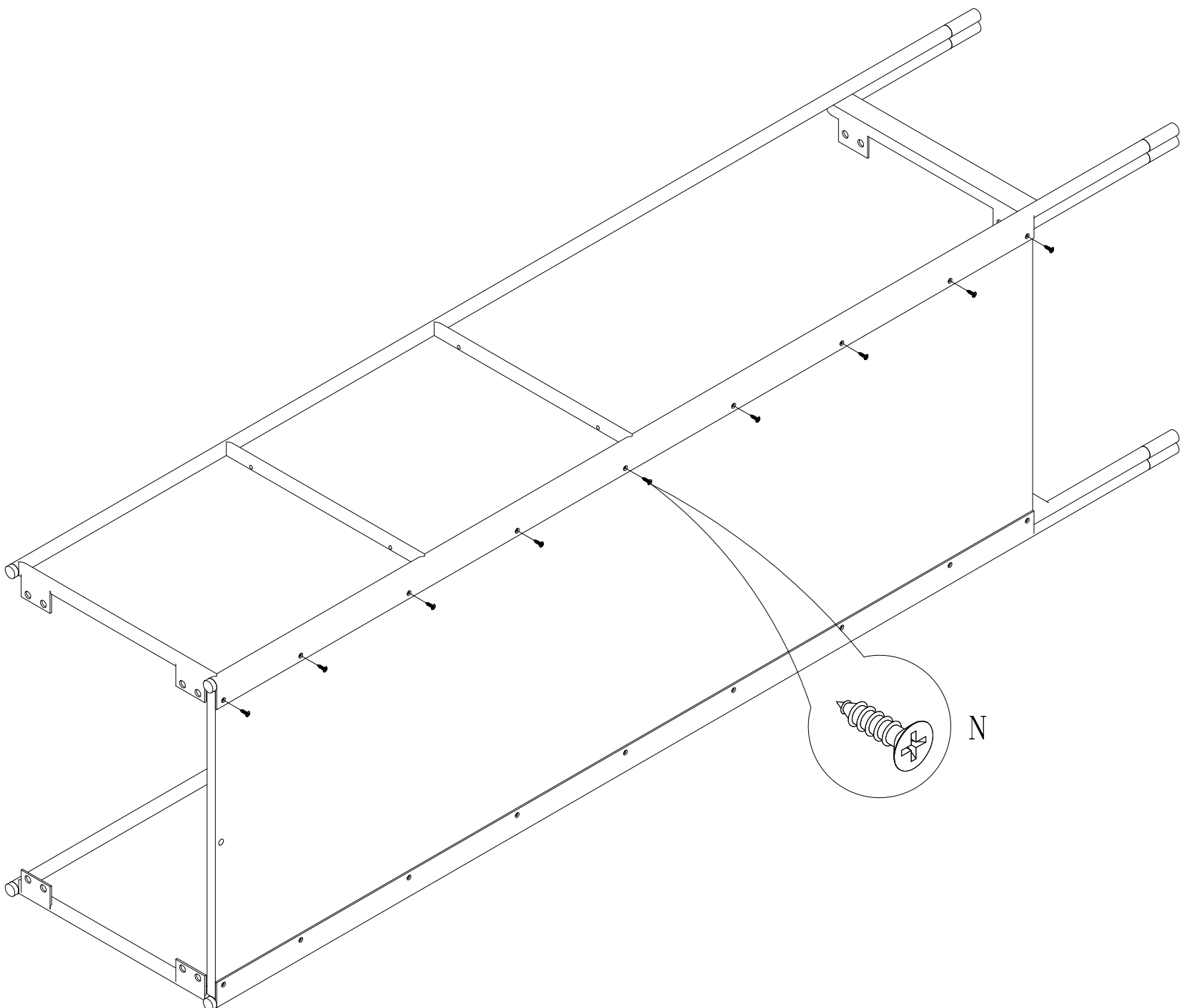
AAA x8
Spec: $\phi 3.8 * L12$

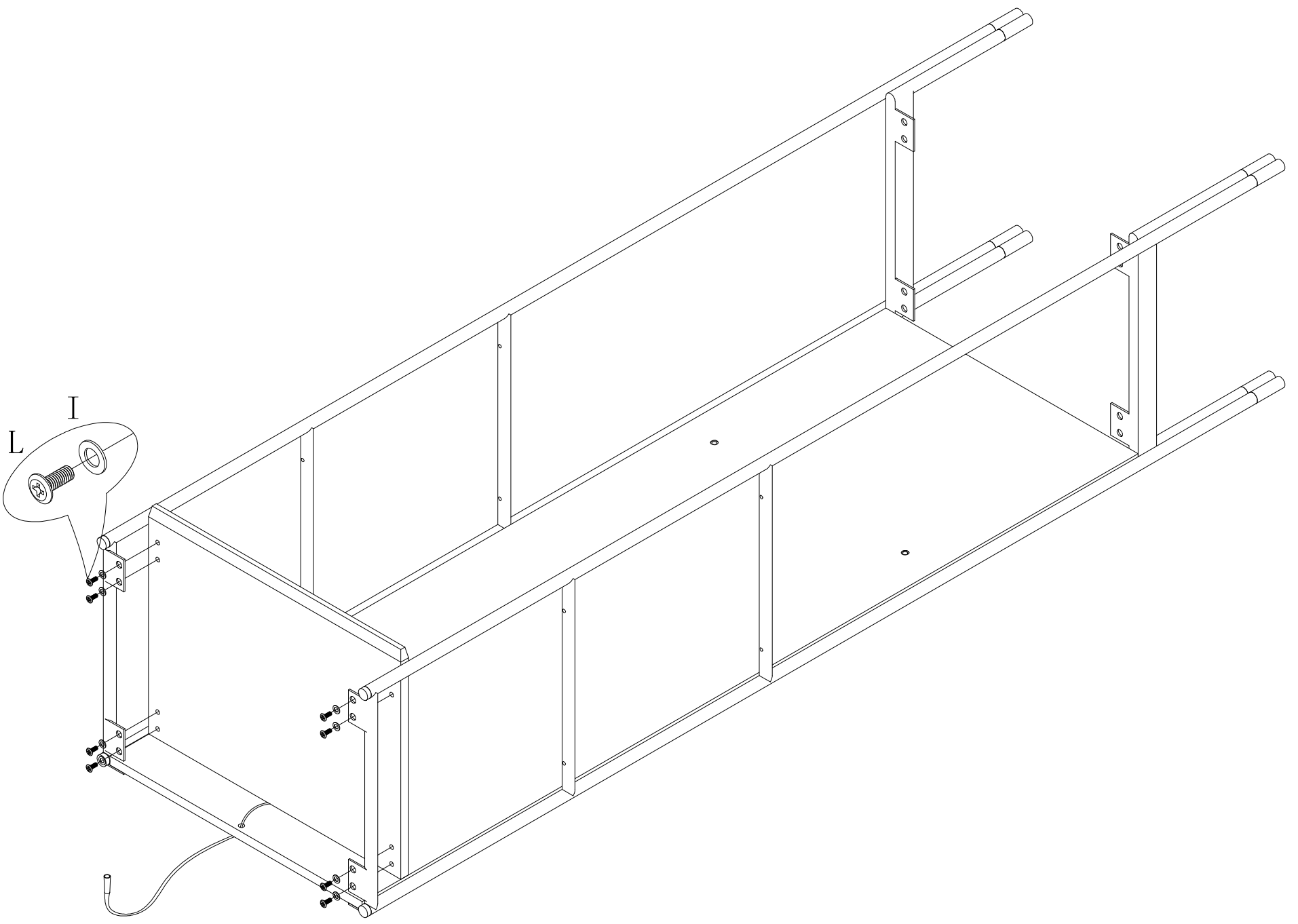


V x1
Spec:



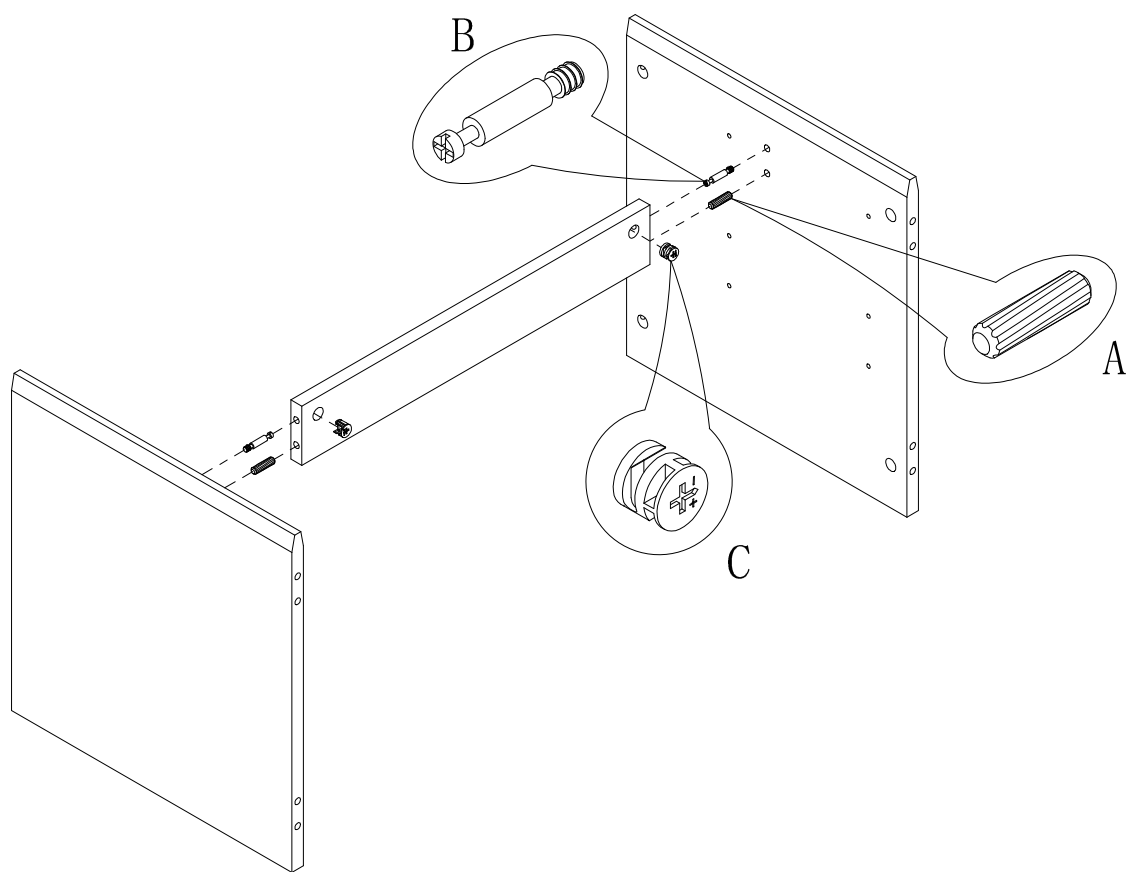
2

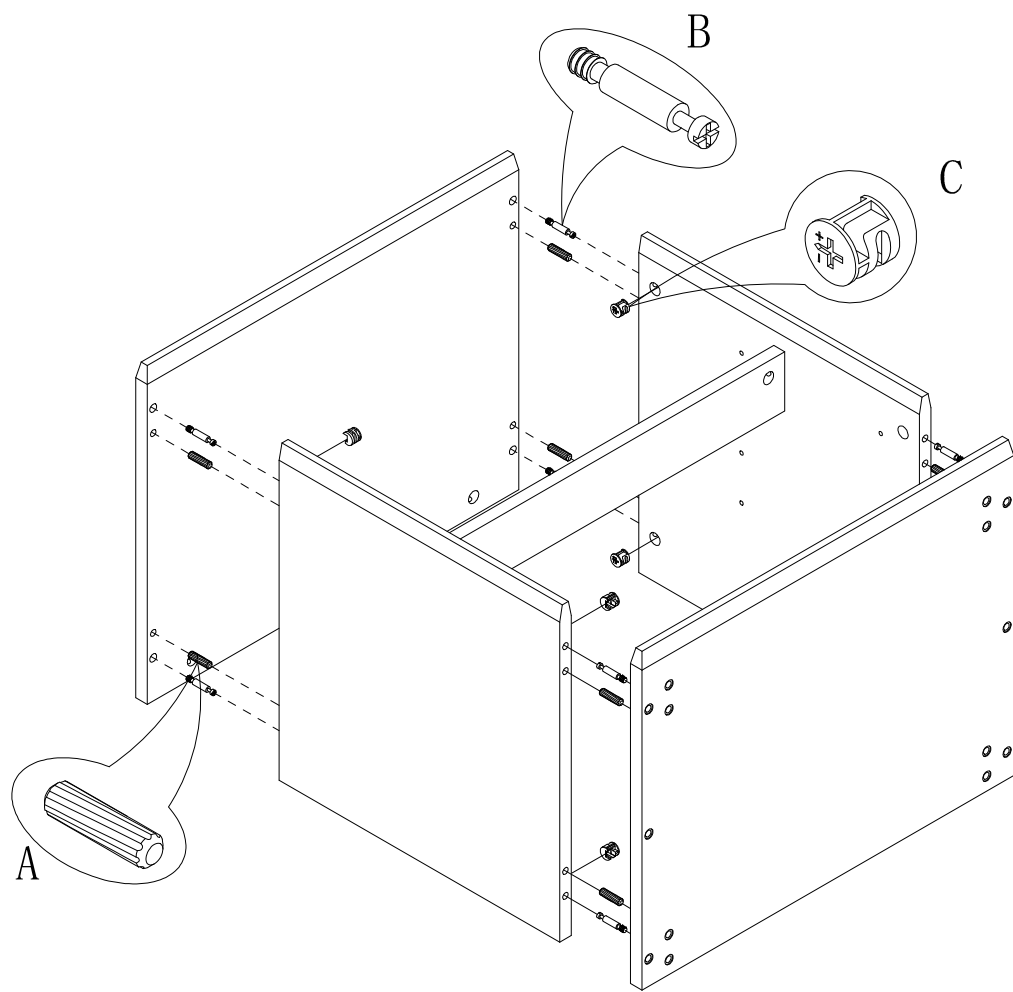




3

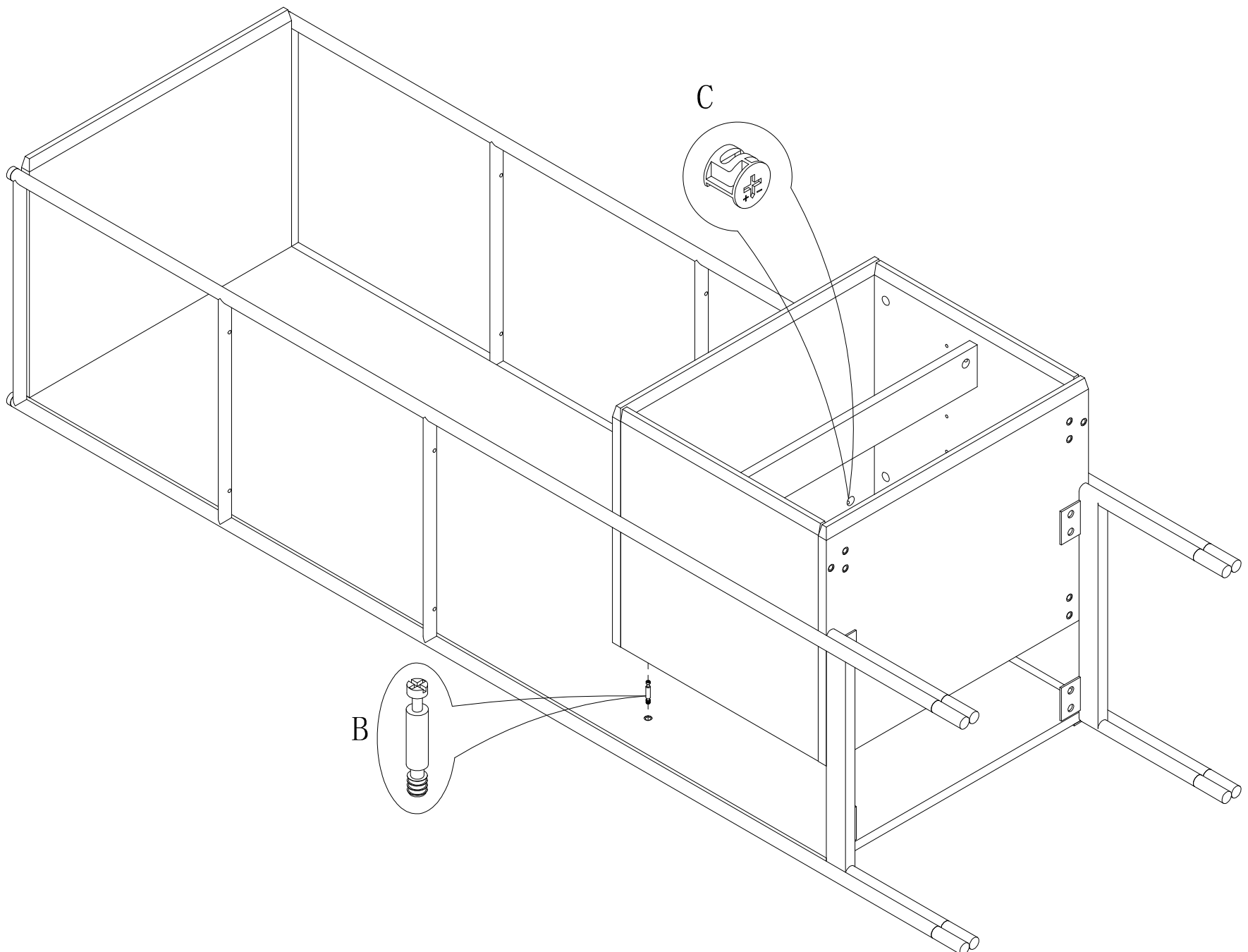
4

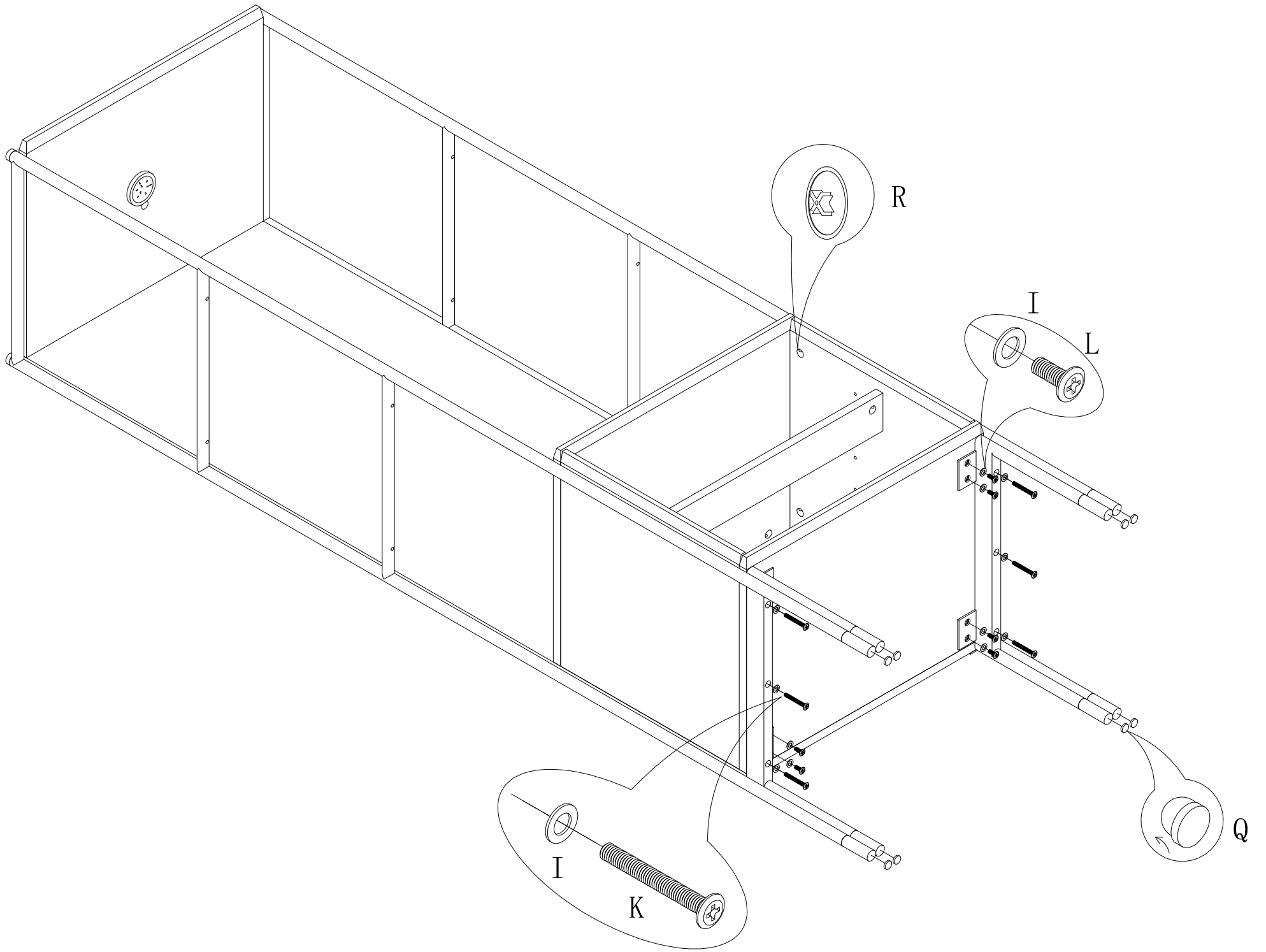




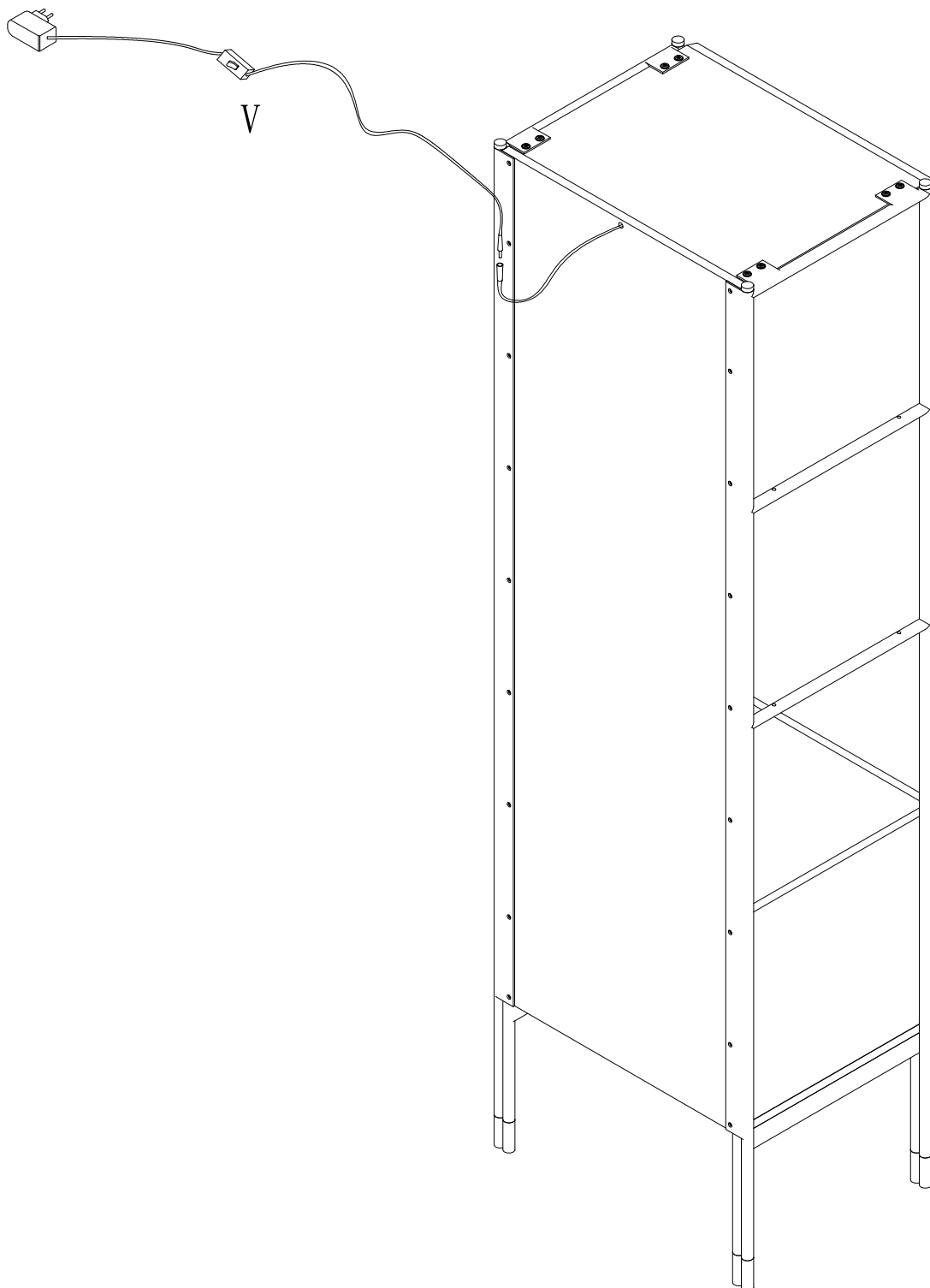
5

6

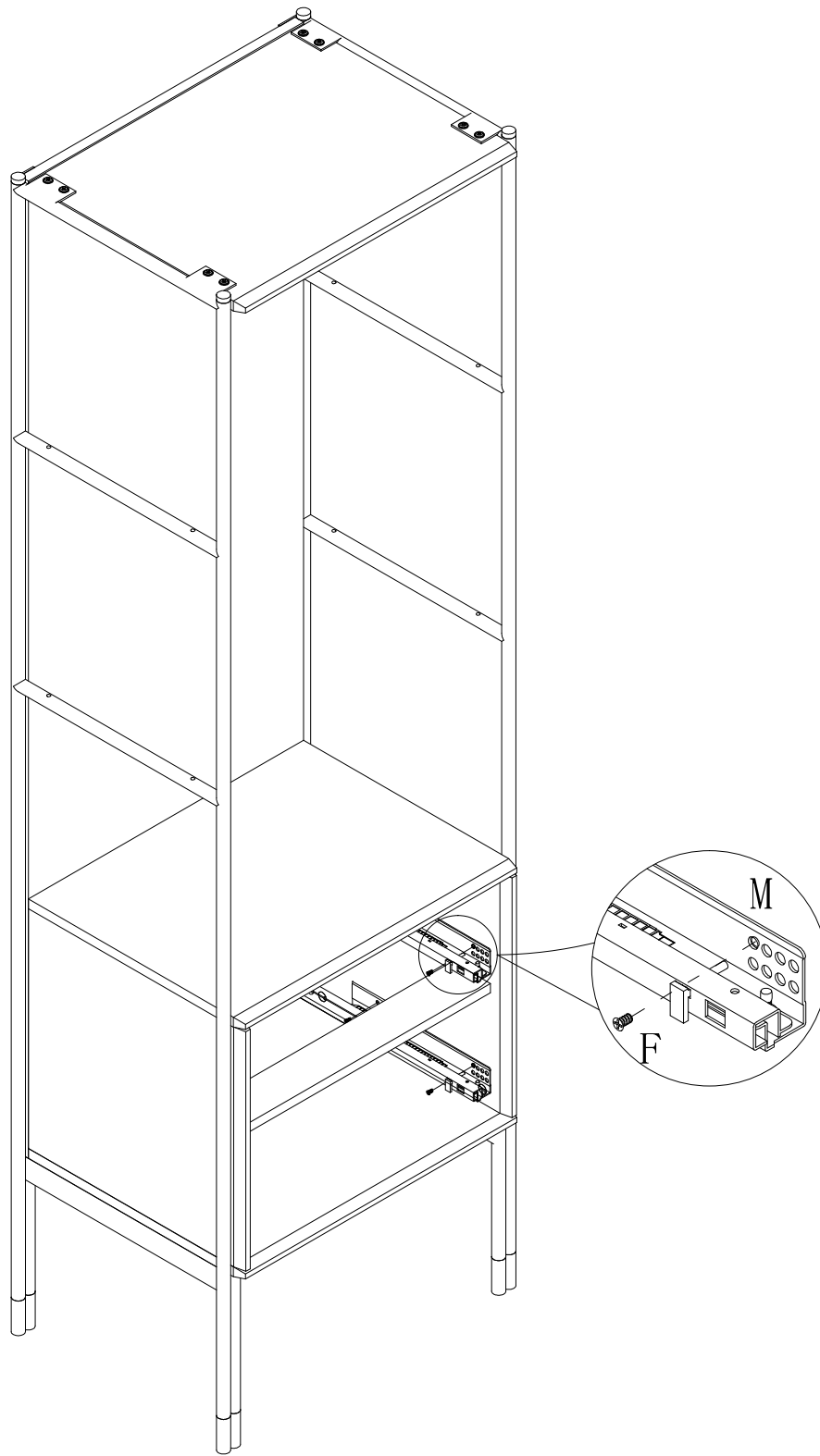




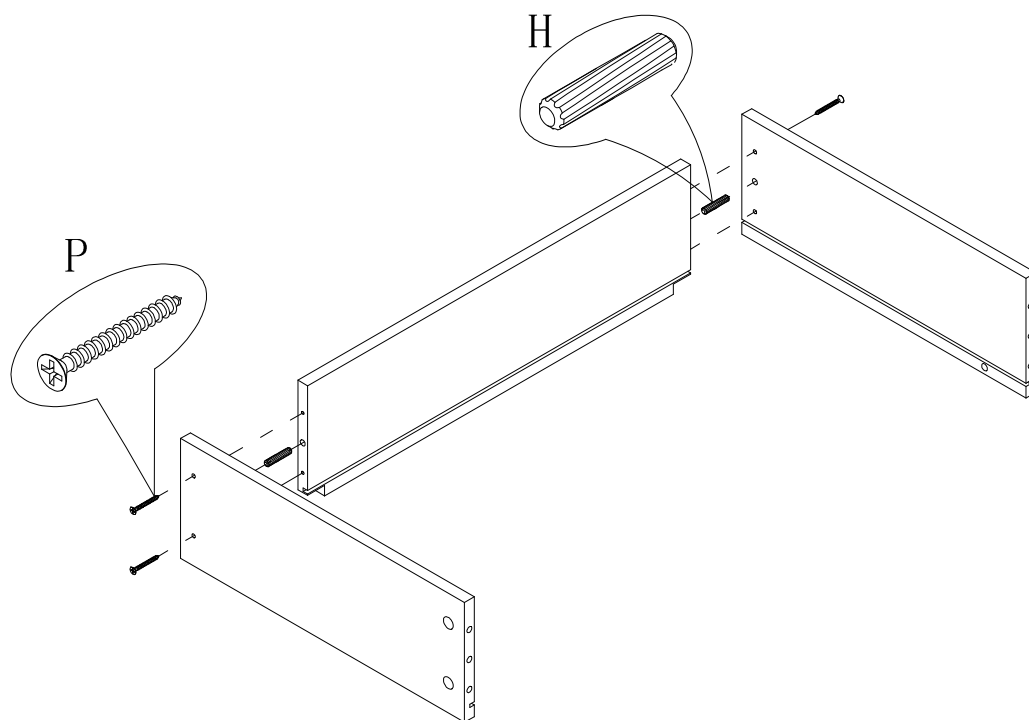
8

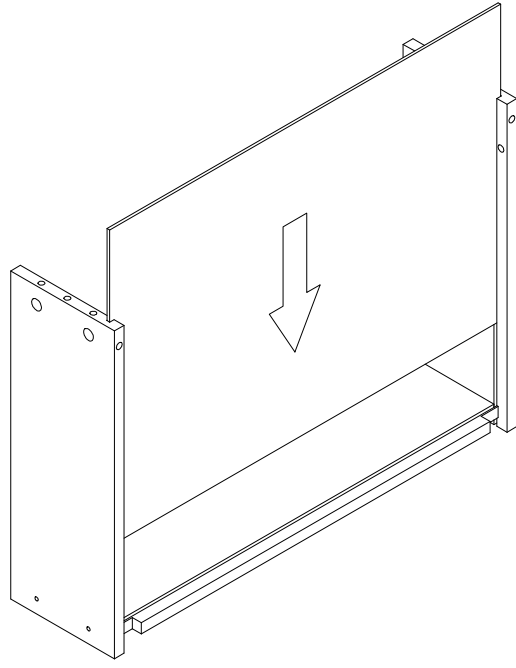


9



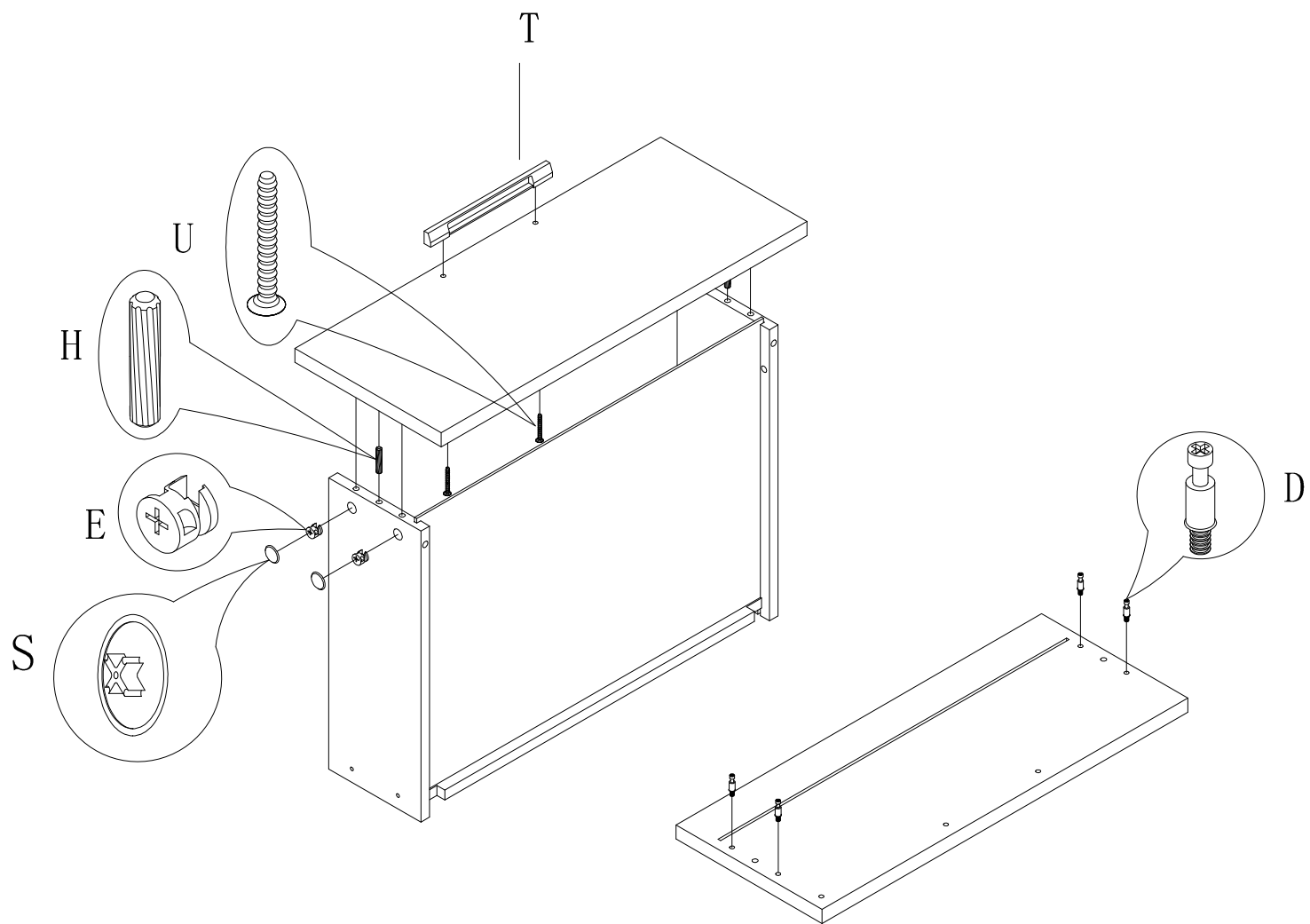
10

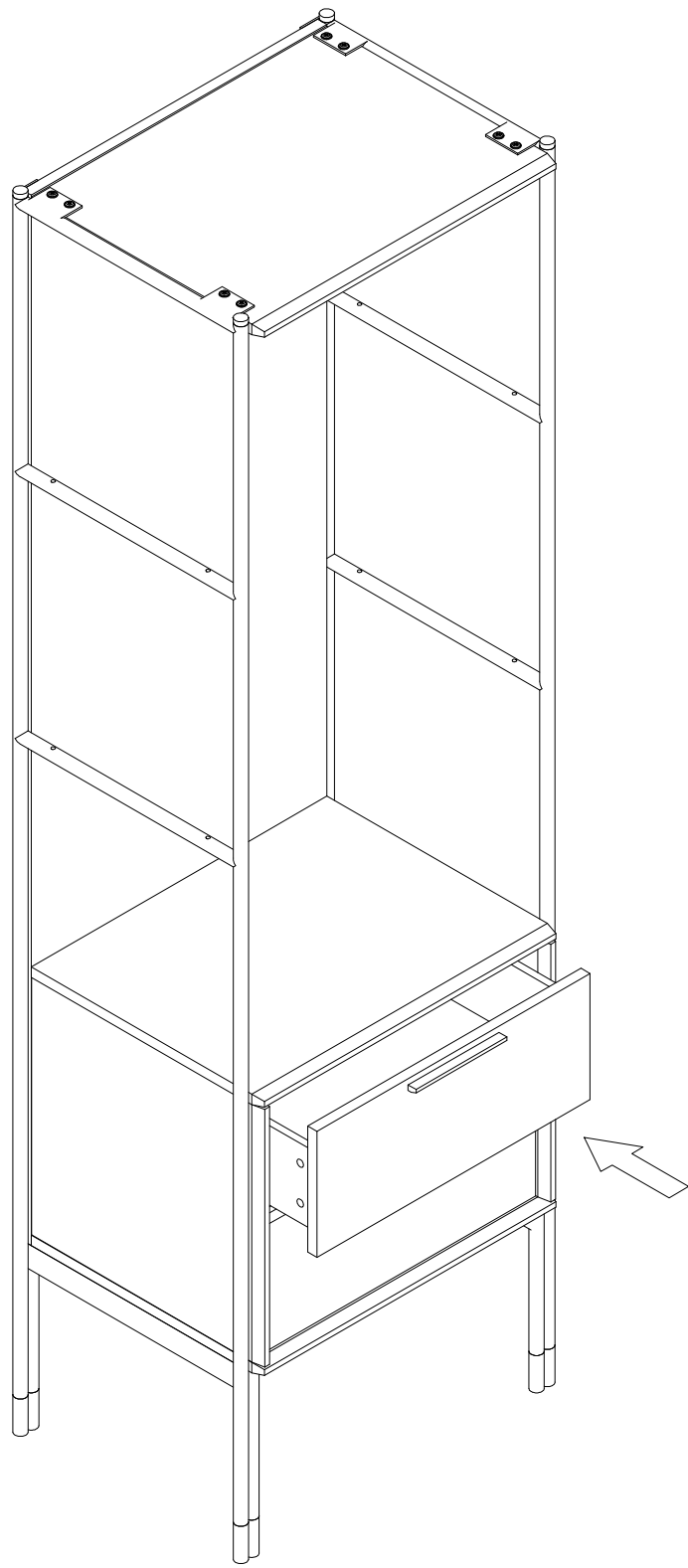




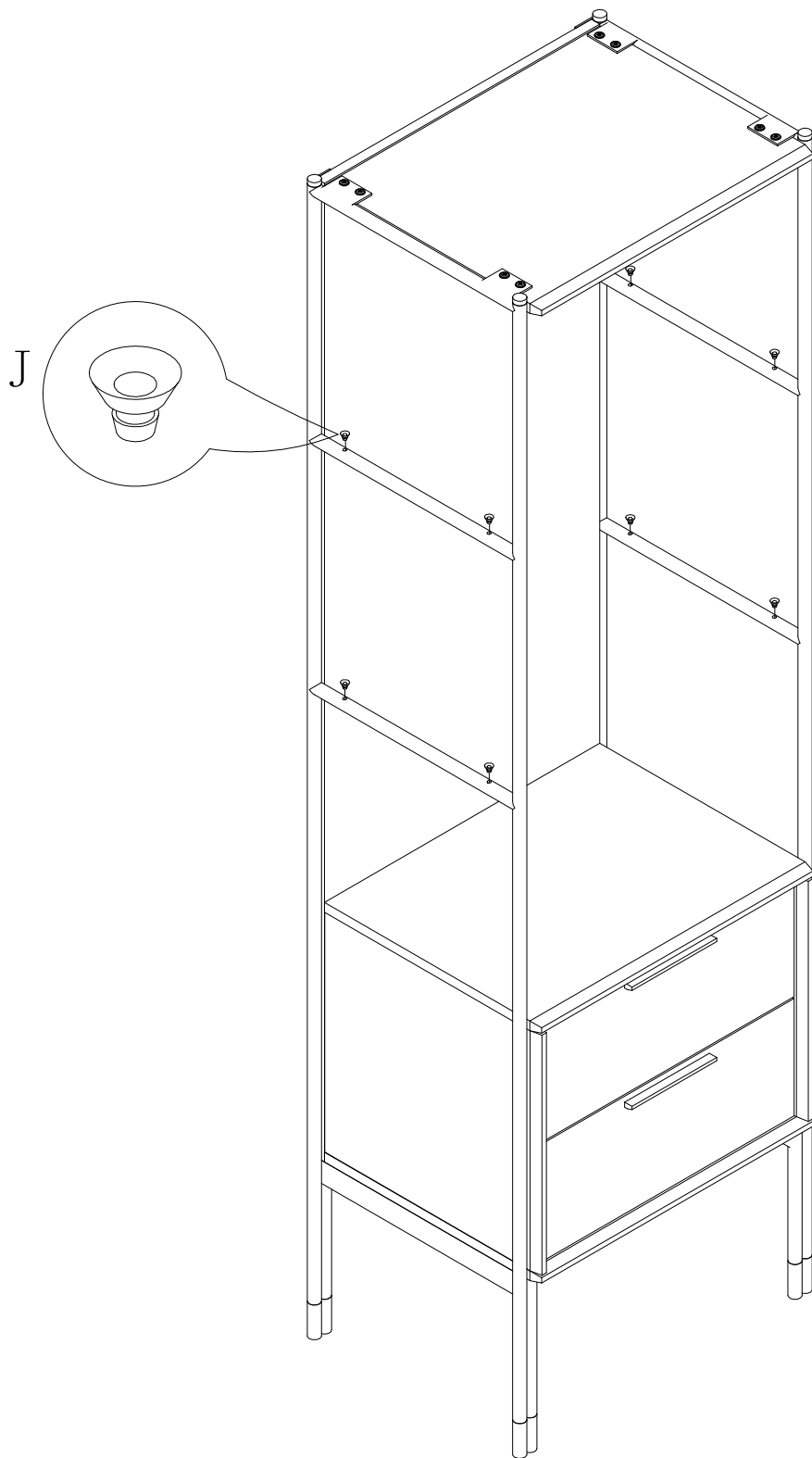
11

12





13



14

15

