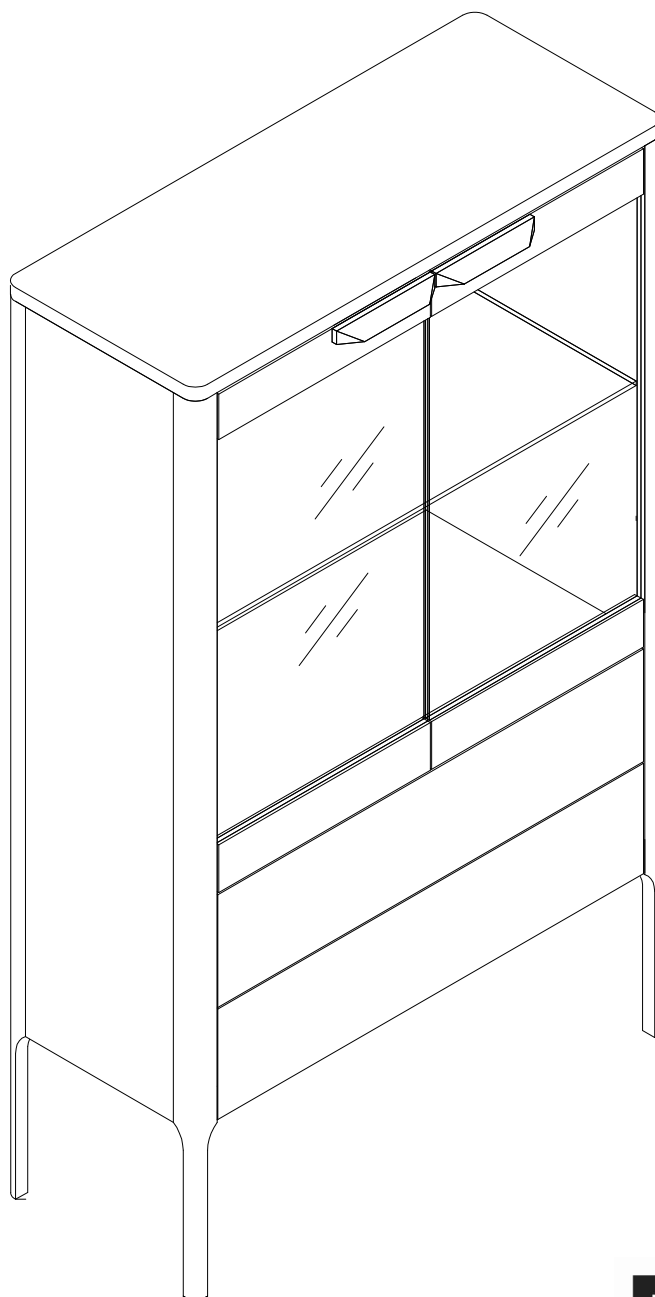
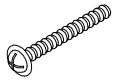
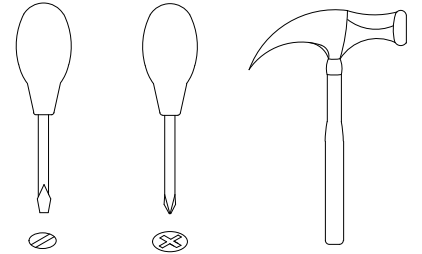
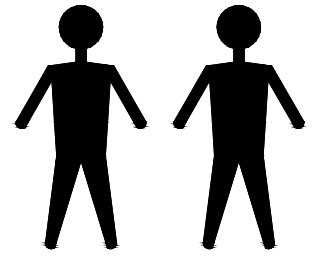


MDI. DC. RD. 51

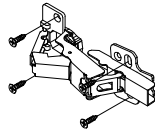


EAC

MDI. DC. RD. 51



B x4
Spec: M4*L21



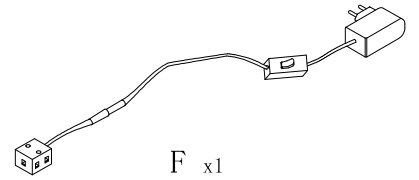
C x4
Spec: 088#



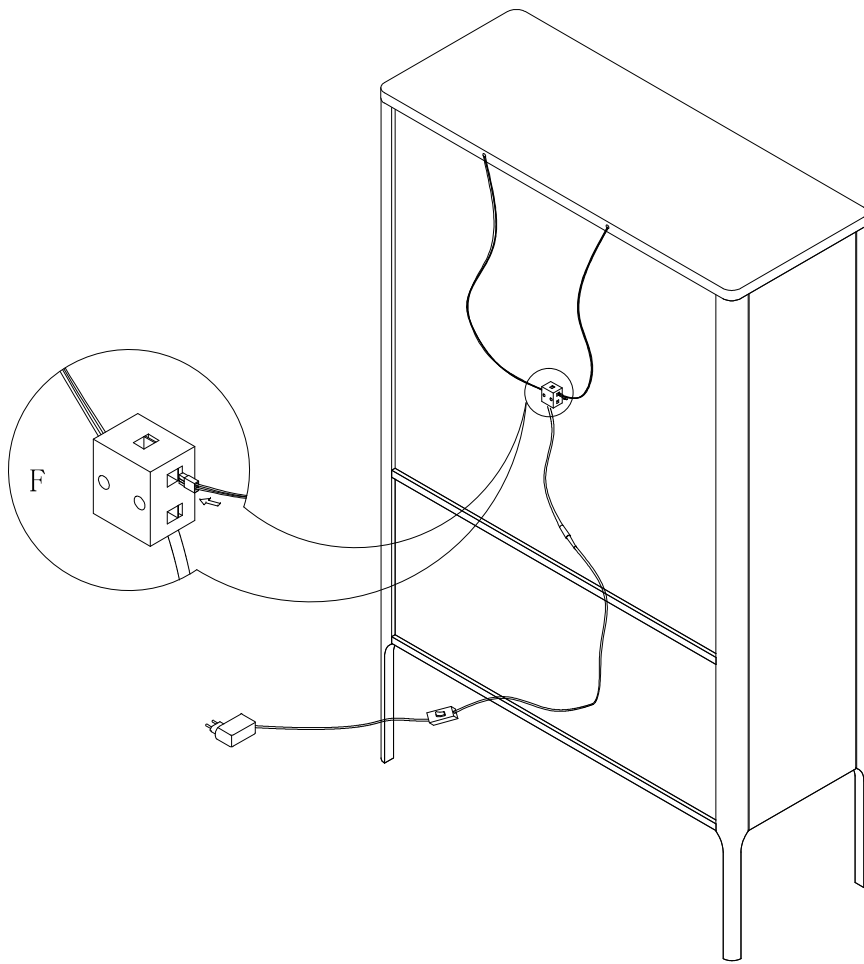
D x8
Spec: 3.8*L16



E x4
Spec:

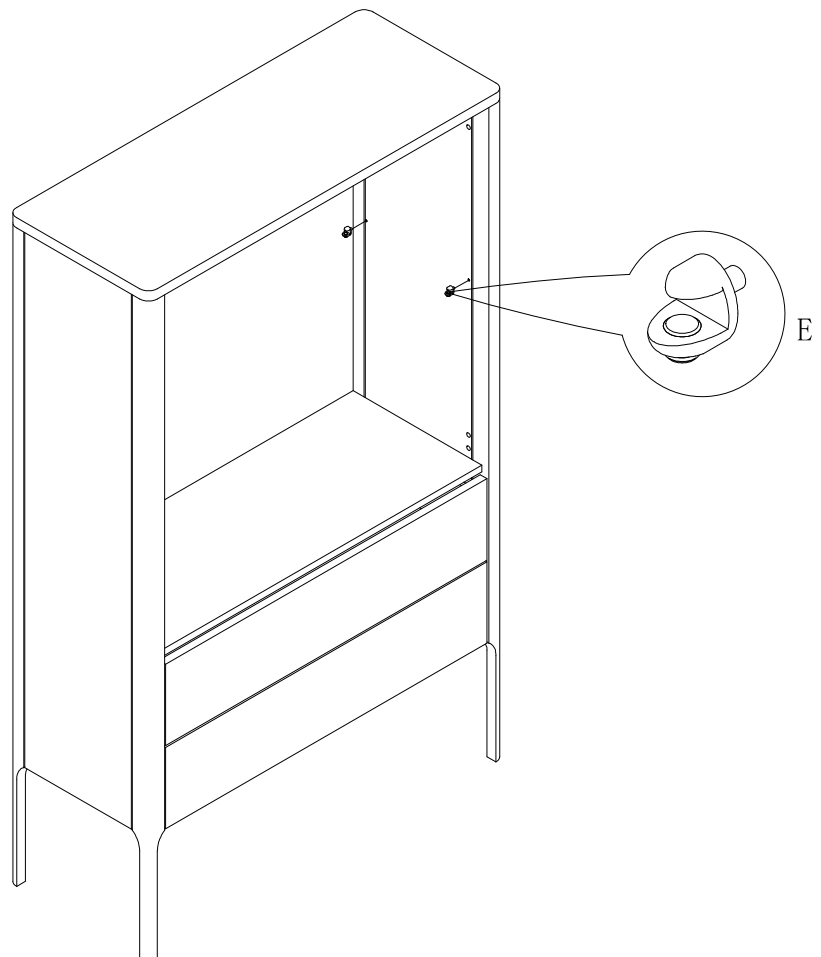


F x1
Spec:

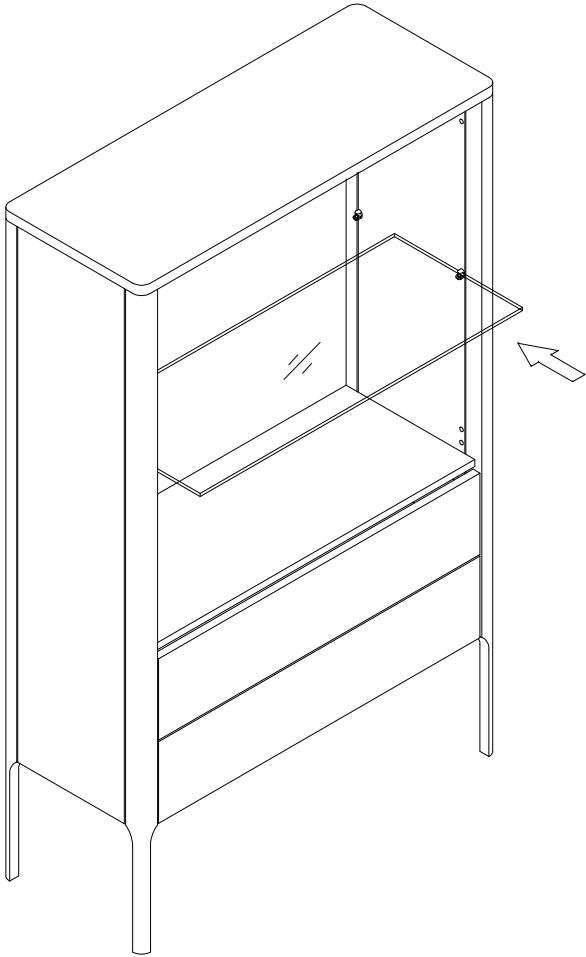


1

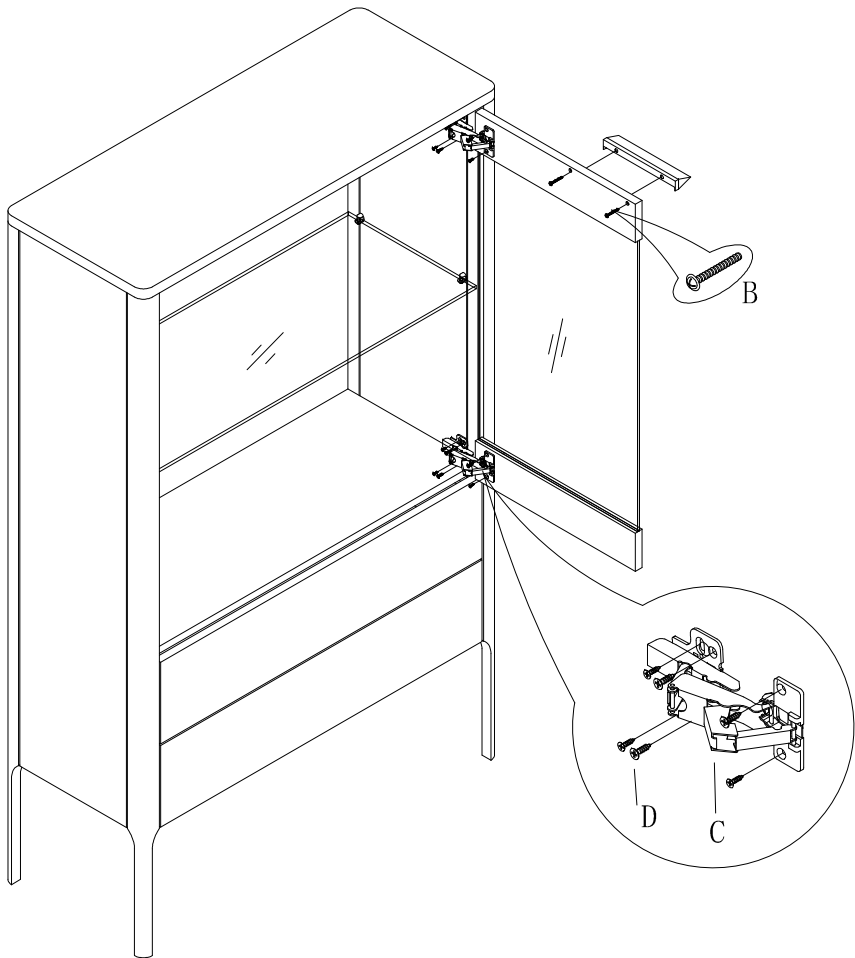
2

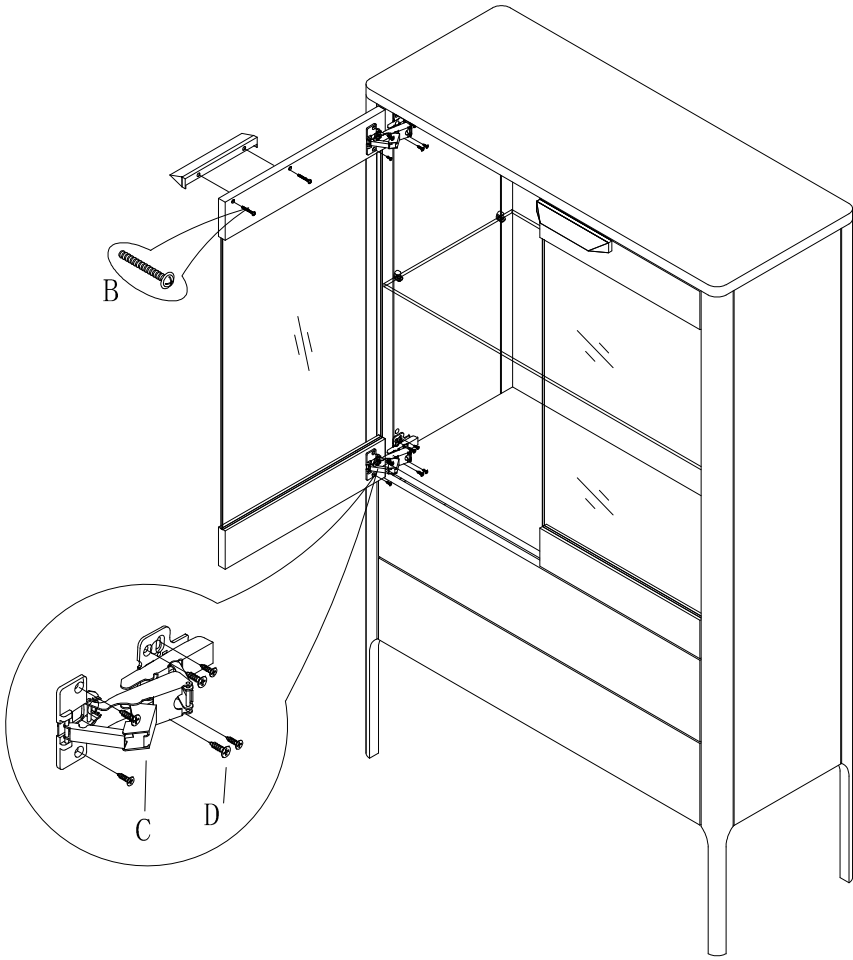


3



4





5
