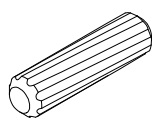
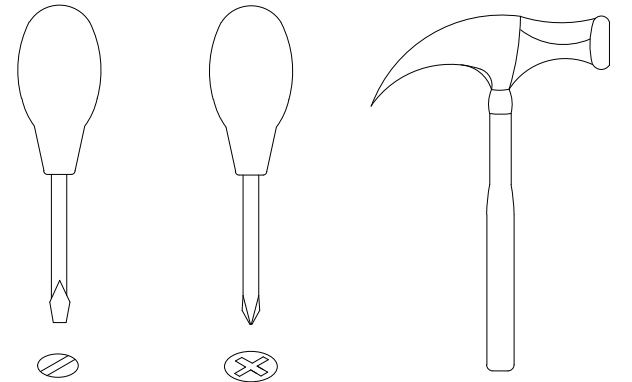
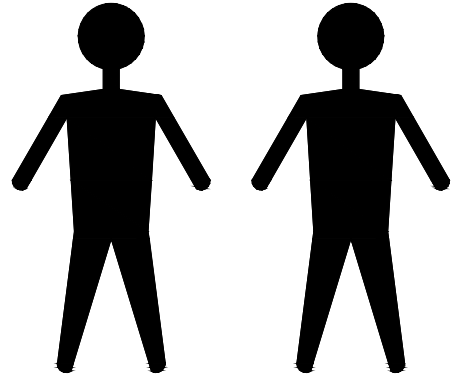
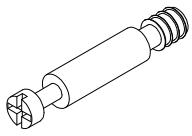


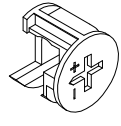
MDI. WR. VC. 6



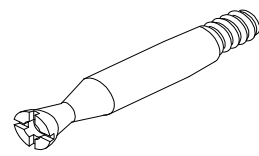
A x72
Spec: $\phi 8 \times 30$



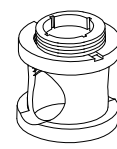
B x38
Spec: $\phi 7 \times L30$



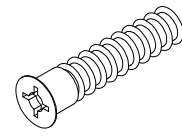
C x38
Spec: $\phi 15 \times H12$



D x16
Spec: $\phi 7 \times L48$



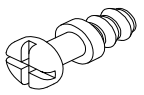
E x16
Spec: $\phi 15 \times H15$



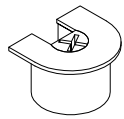
F x4
Spec: $M7 \times 38$



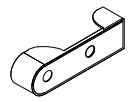
P2 x12
Spec:



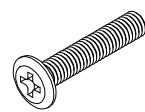
H x24
Spec: $\phi 5 \times L19$



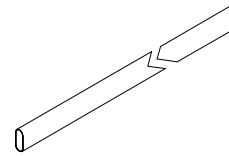
I x24
Spec: $\phi 20 \times H12$



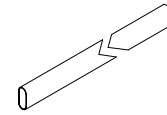
J x4
Spec: $L63 \times W20$



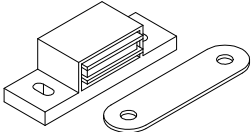
K x4
Spec: $\phi 6 \times L35$



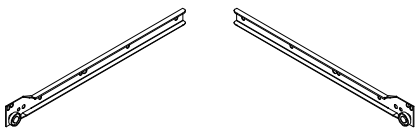
L x1
Spec: $L1152$



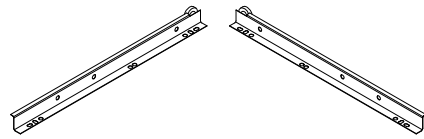
M x1
Spec: $L556$



N x8
Spec:



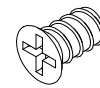
O x3
Spec: $L400$



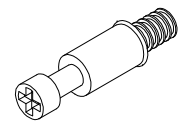
P x3
Spec: $L400$



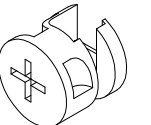
Q x26
Spec: $\phi 3.5 \times L8$



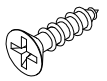
R x18
Spec: $\phi 6 \times L9$



S x12
Spec: $\phi 6 \times L30$



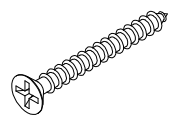
T x12
Spec: $\phi 12 \times H10$



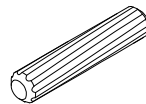
U x16
Spec: $\phi 3.5 \times L16$



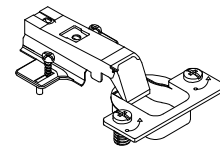
V x32
Spec: $\phi 3.5 \times L11$



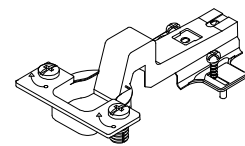
D1 x12
Spec: $\phi 3.5 \times L32$



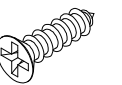
E1 x12
Spec: $\phi 6 \times 30$



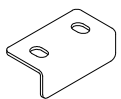
Y x10
Spec: 018#



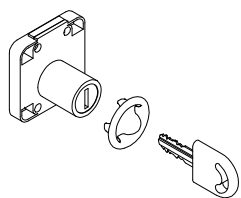
Z x10
Spec: 028#



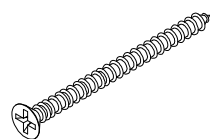
A1 x4
Spec: $\phi 3.5 \times L18$



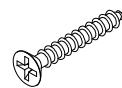
B1 x1
Spec:



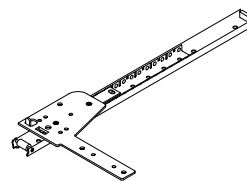
C1 x1
Spec:



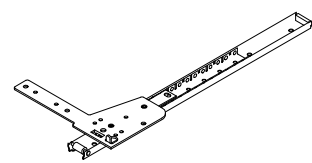
F1 x4
Spec: $\phi 3.8 \times L50$



G1 x10
Spec: $\phi 3.8 \times L25$



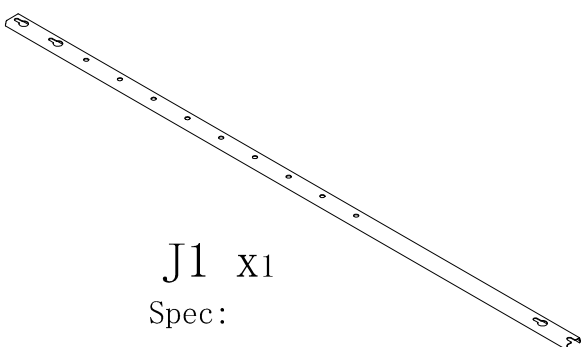
H1 x1
Spec:



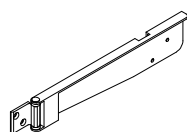
H2 x1
Spec:



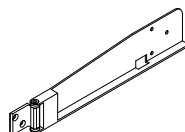
P1 x54
Spec:



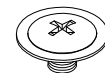
J1 x1
Spec:



L1 x1
Spec:



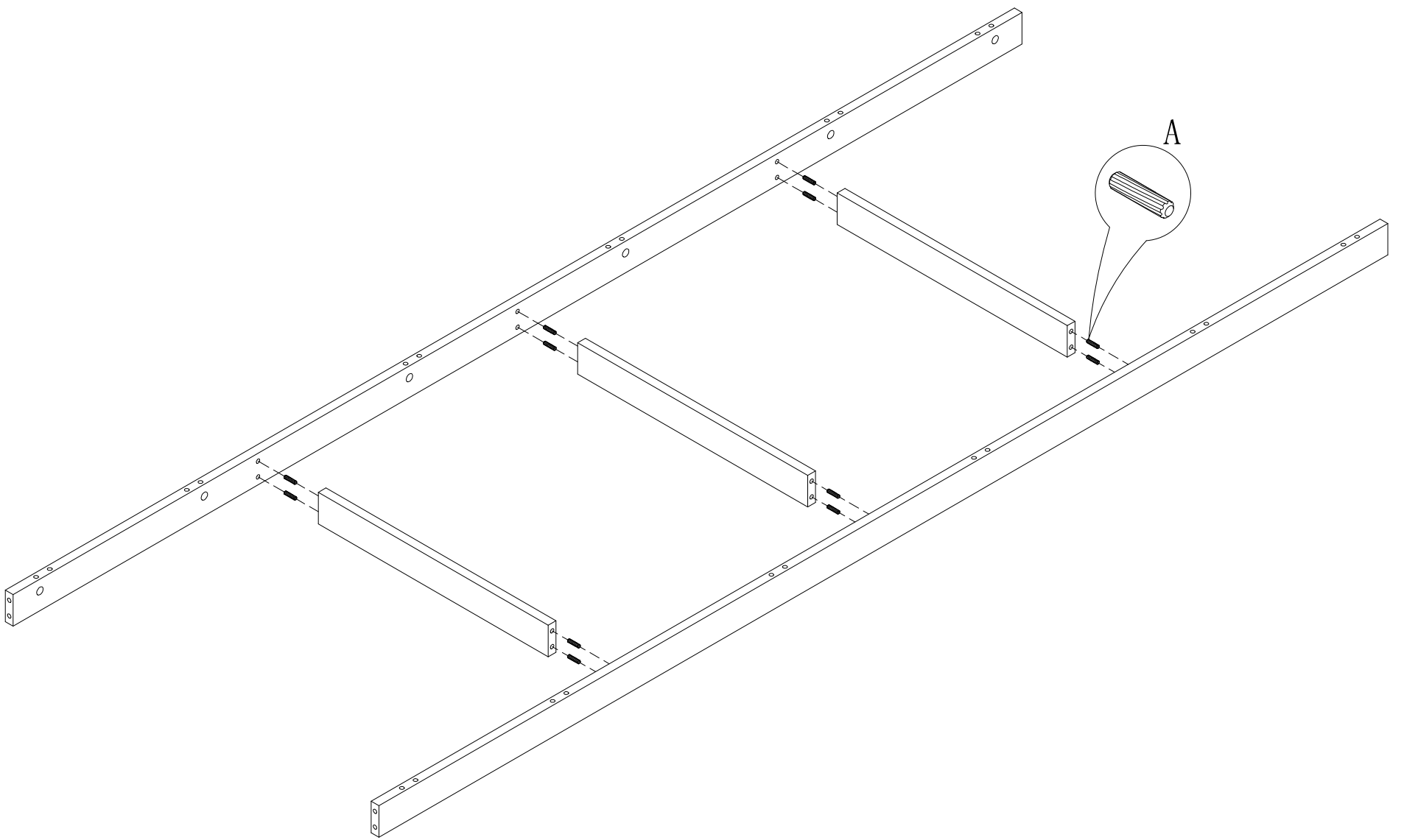
L2 x1
Spec:



I3 x4
Spec:

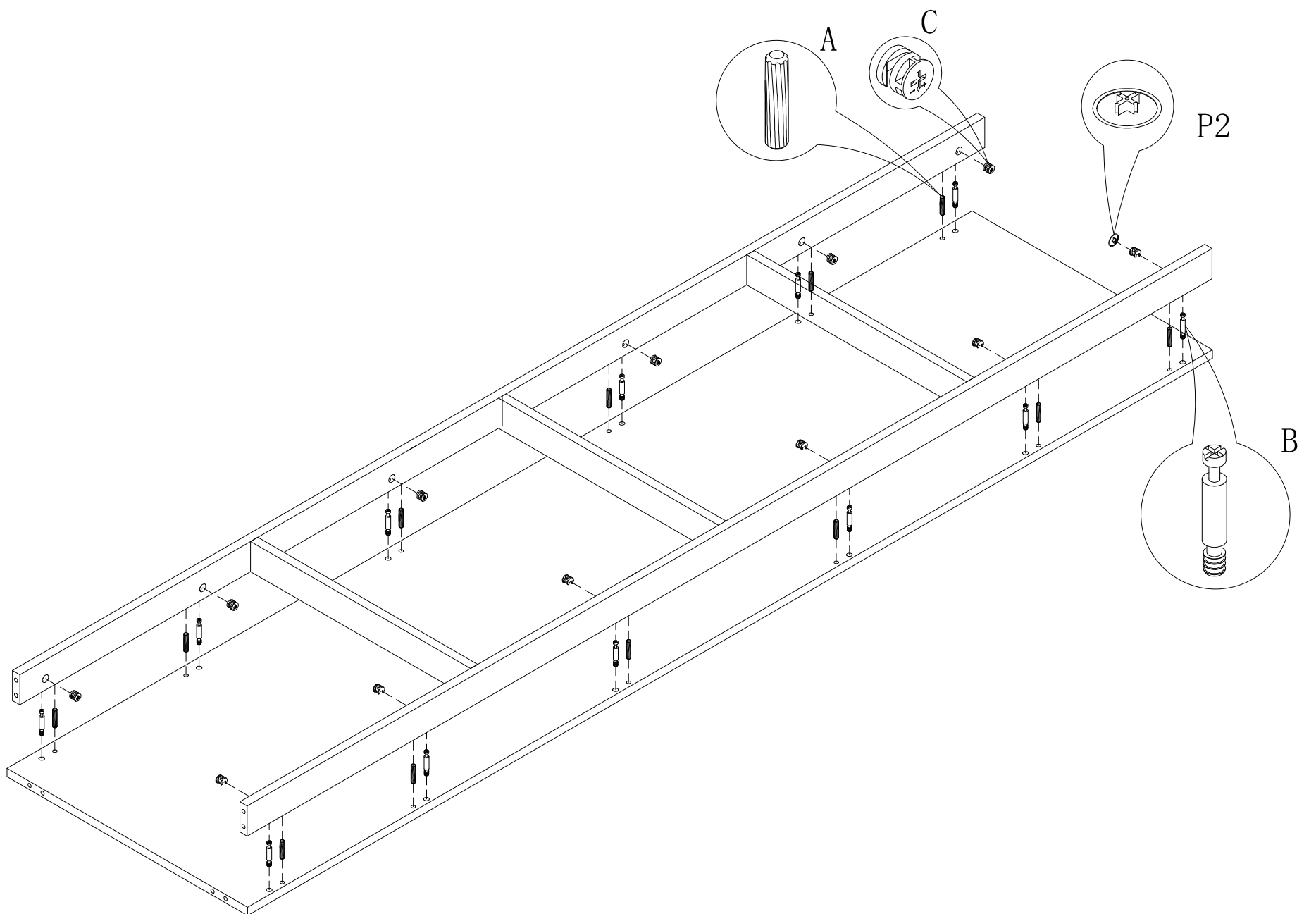


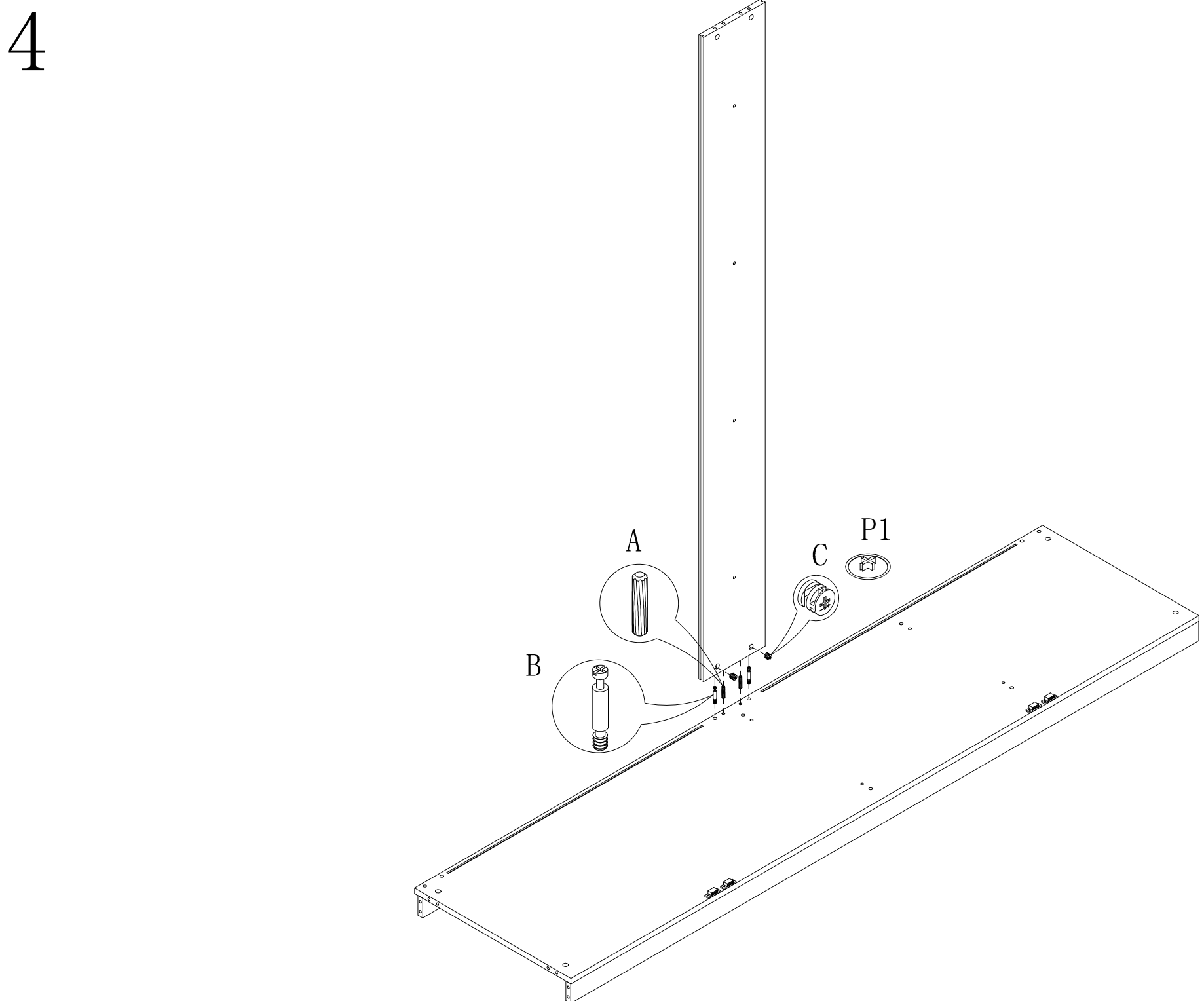
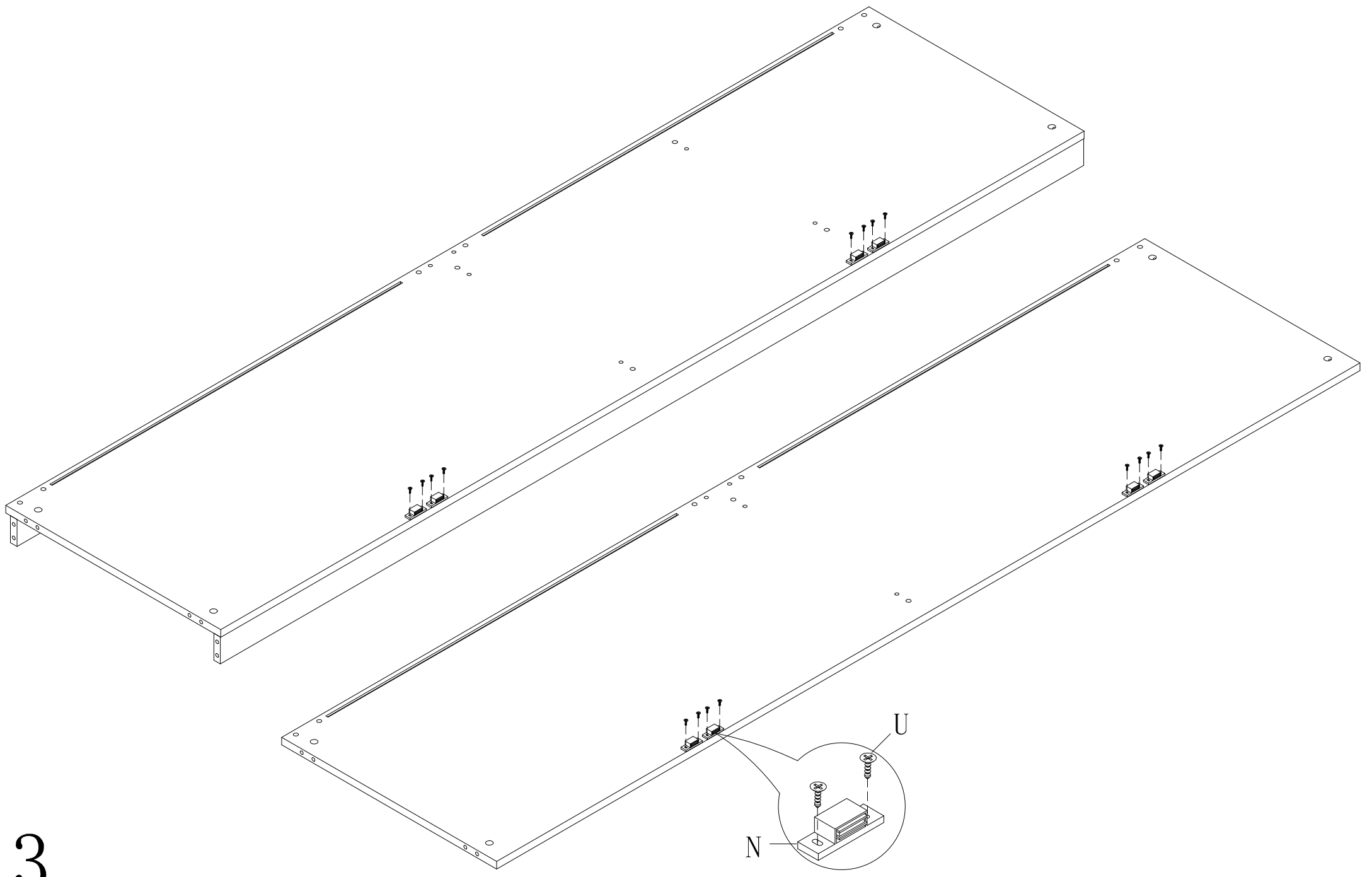
I2 x6
Spec:



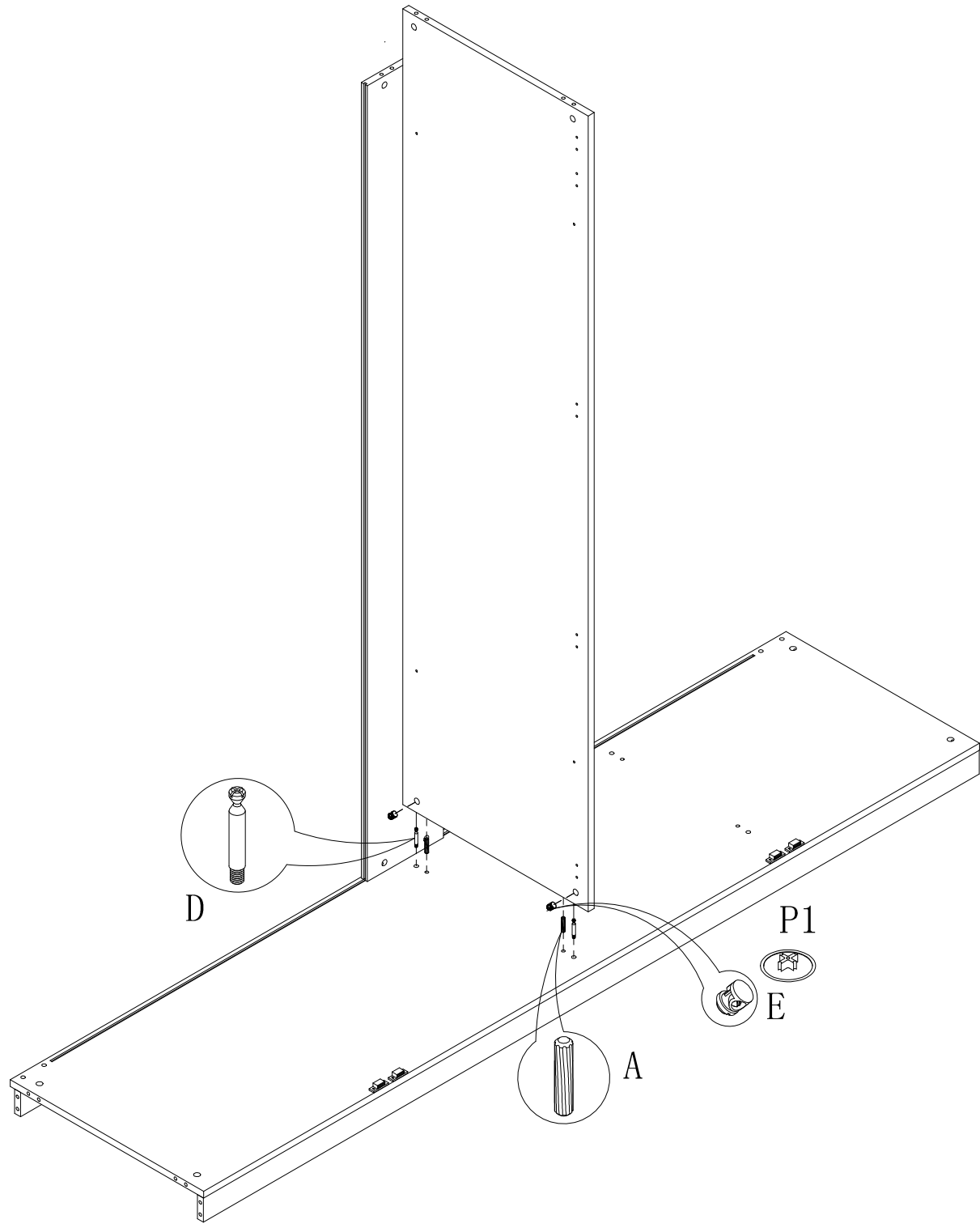
1

2

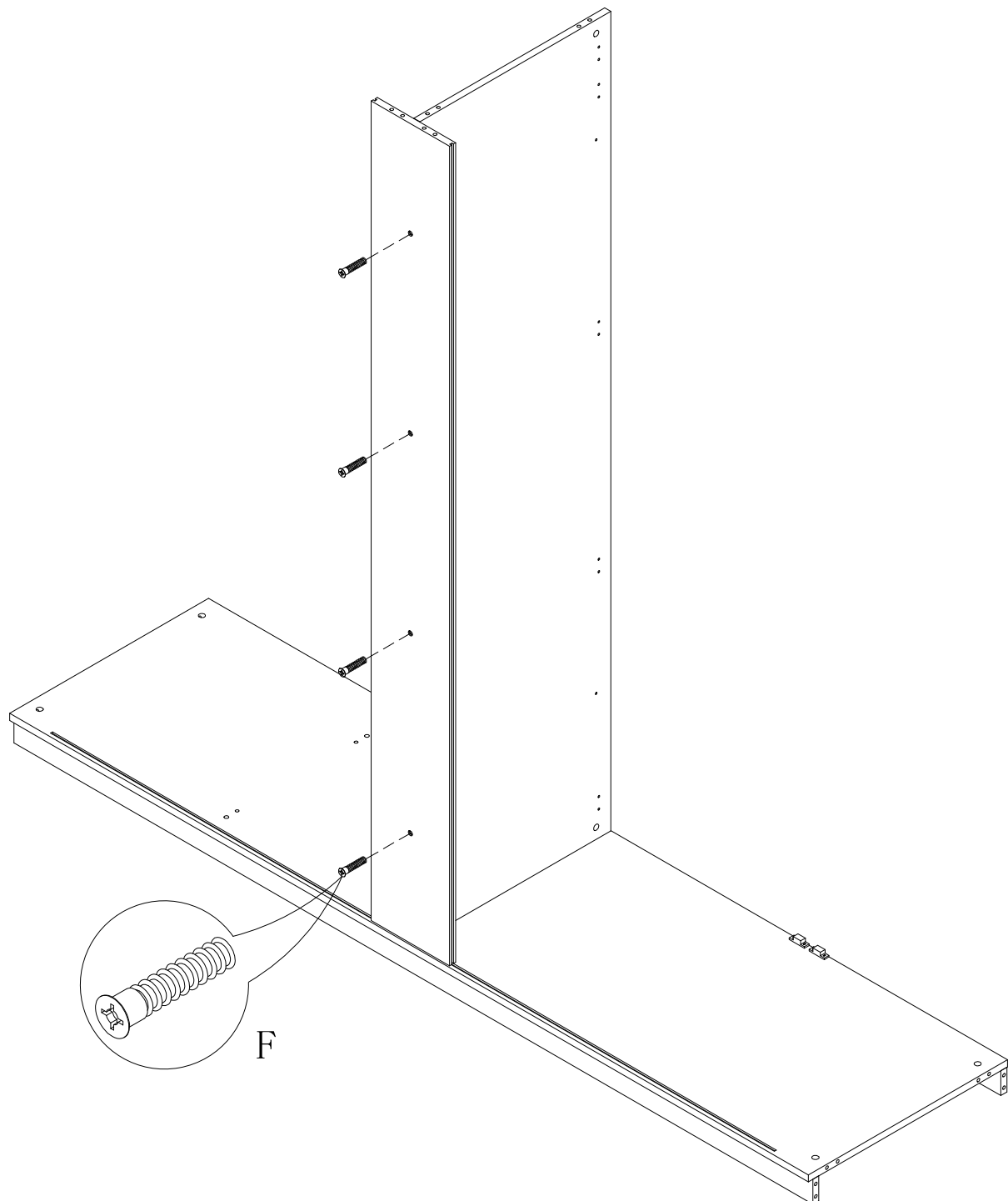




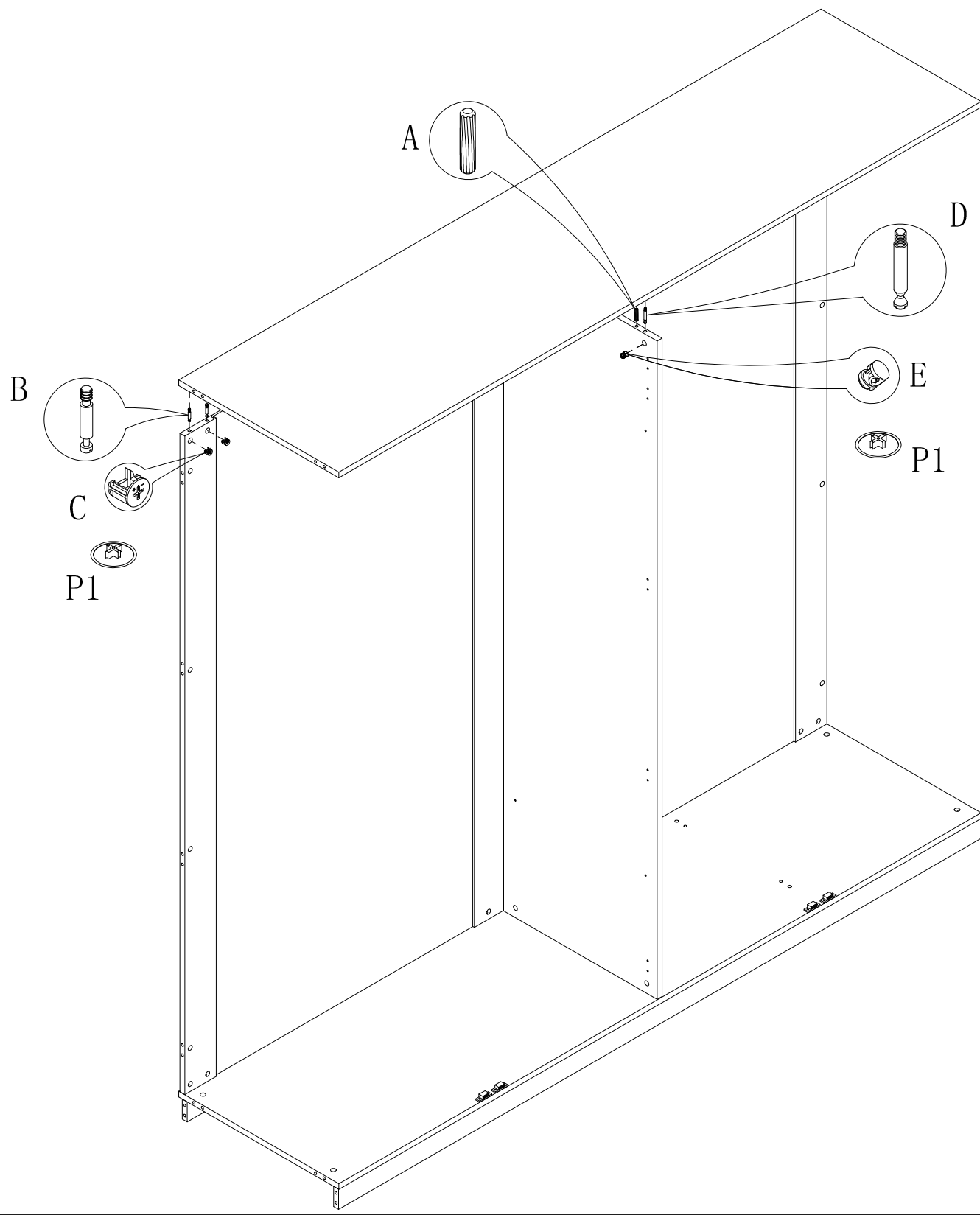
5



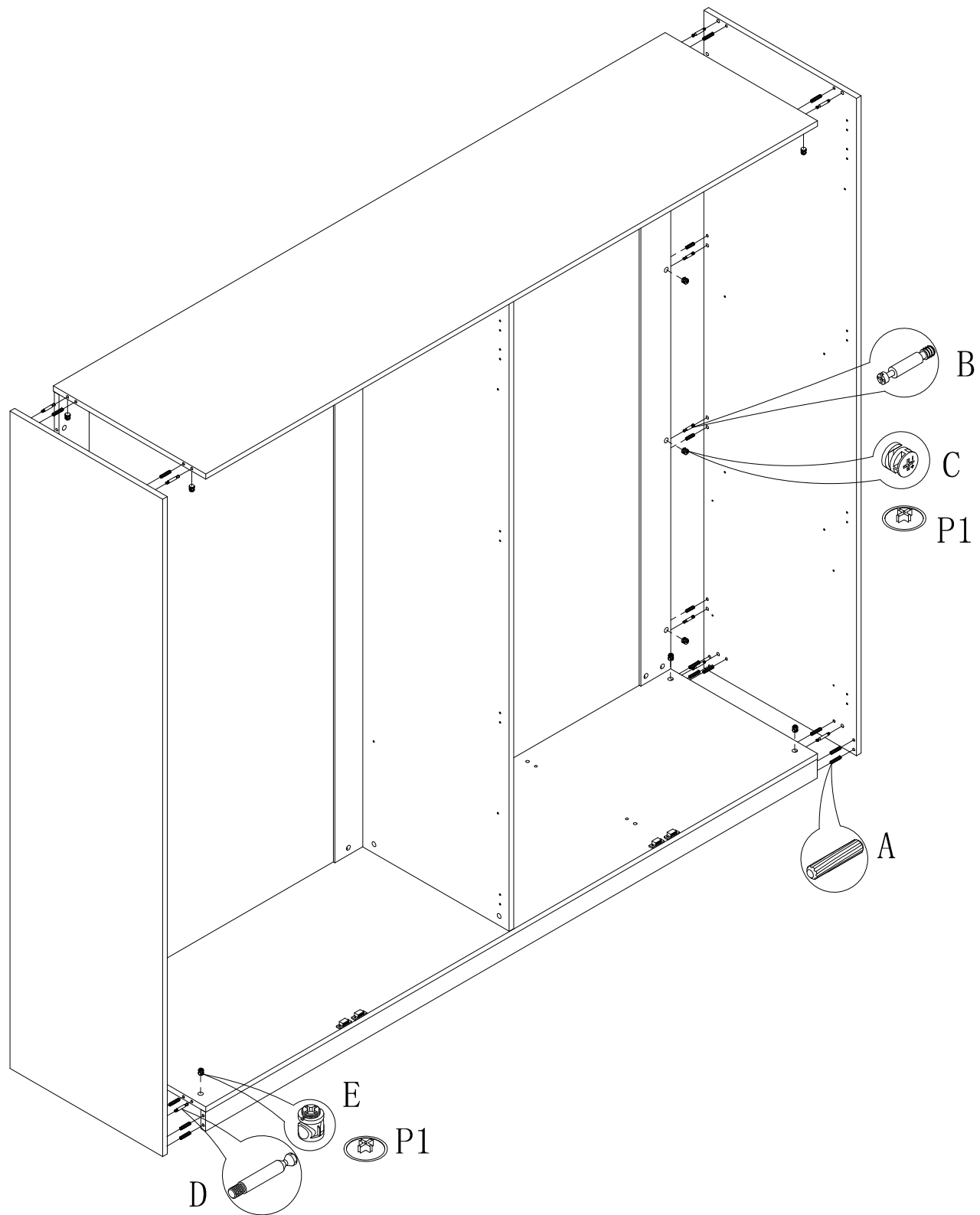
6

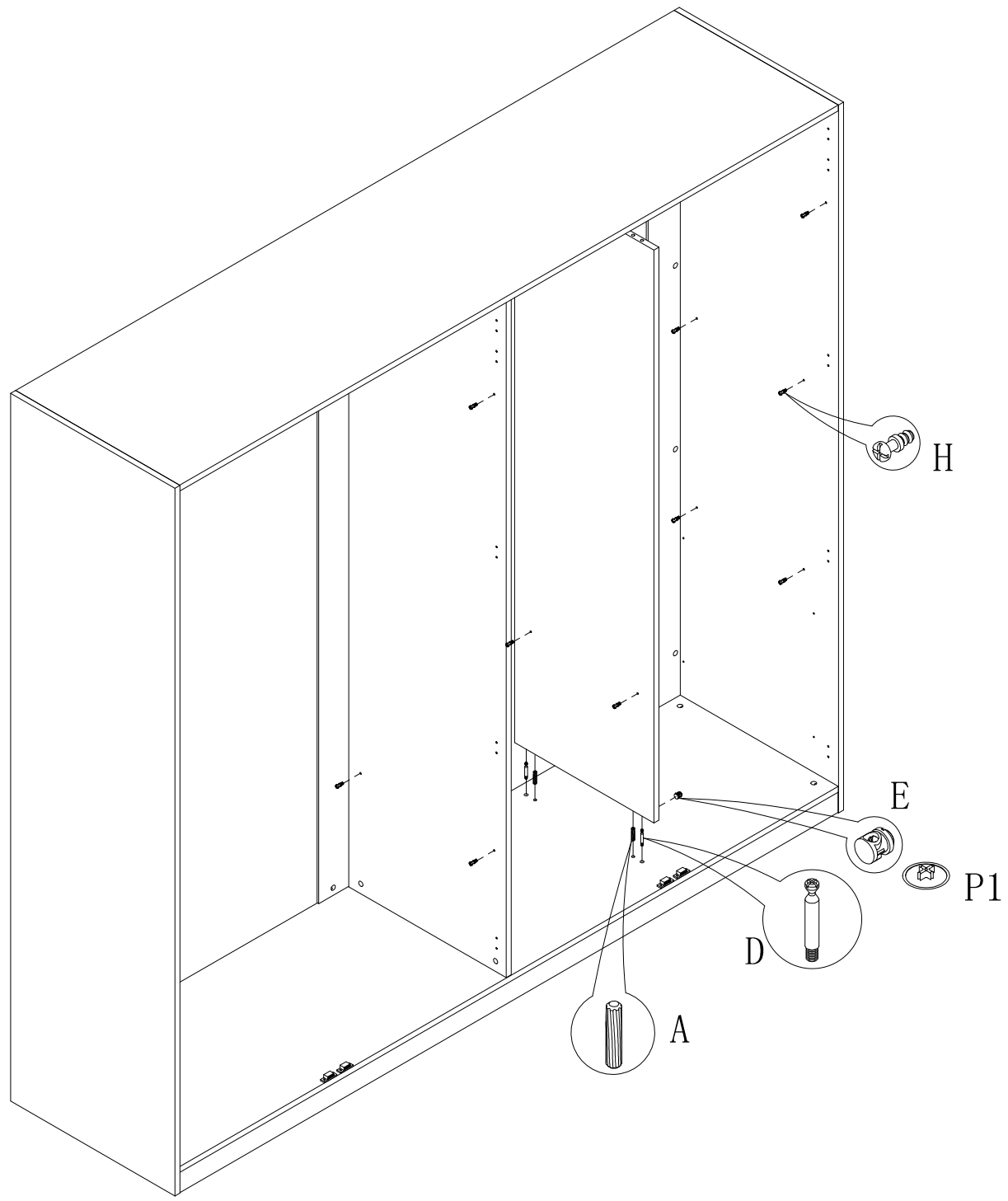


9



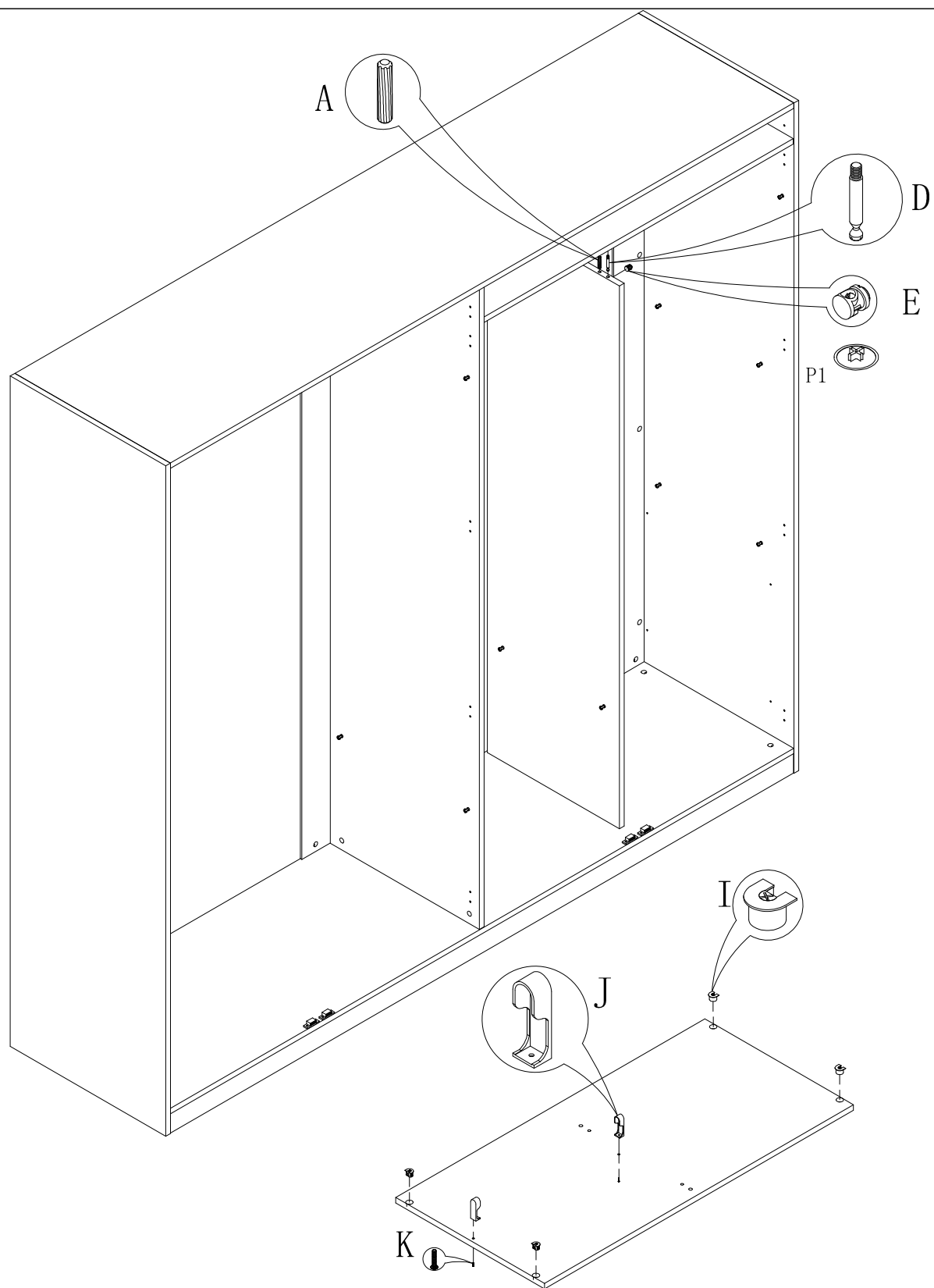
10



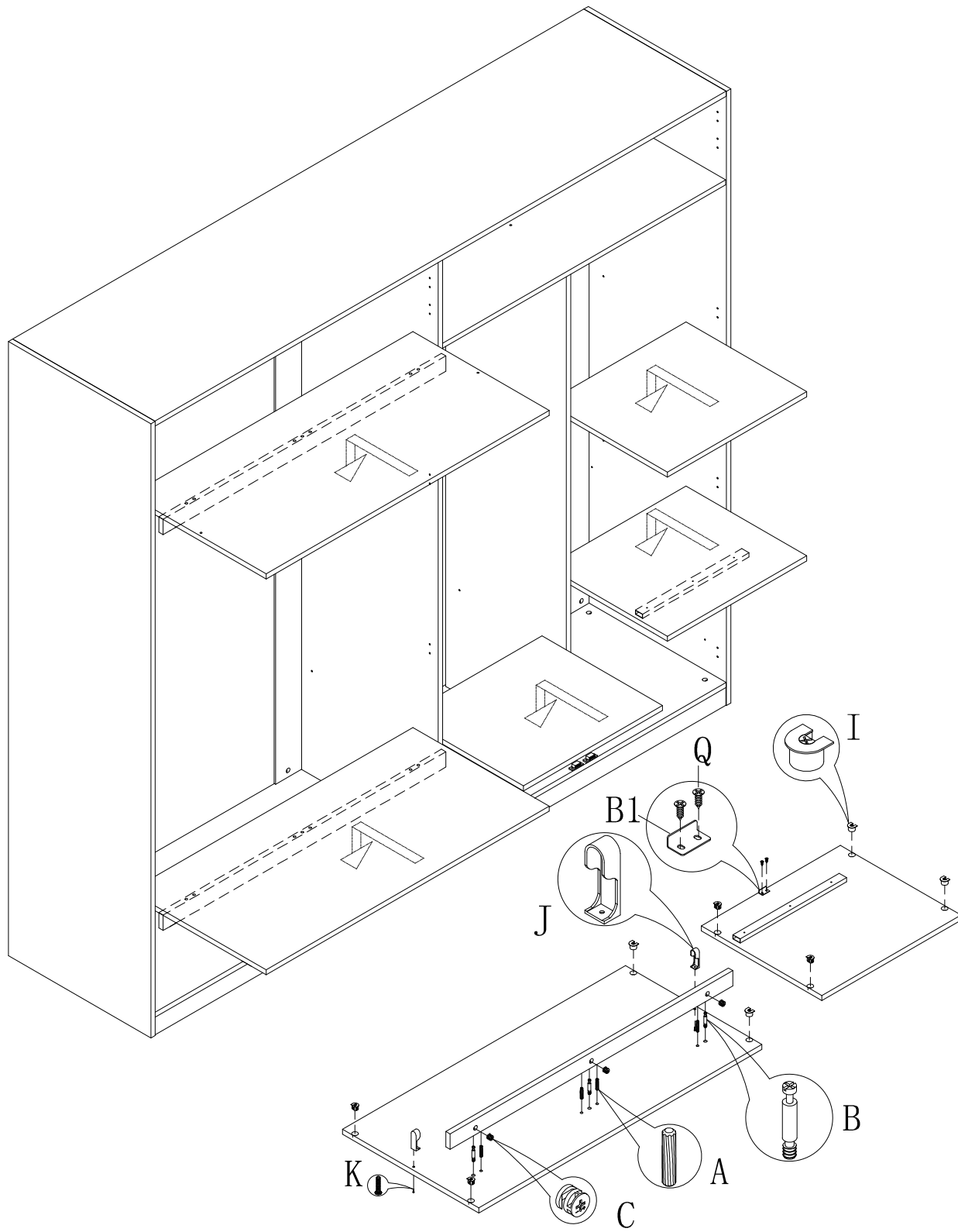


11

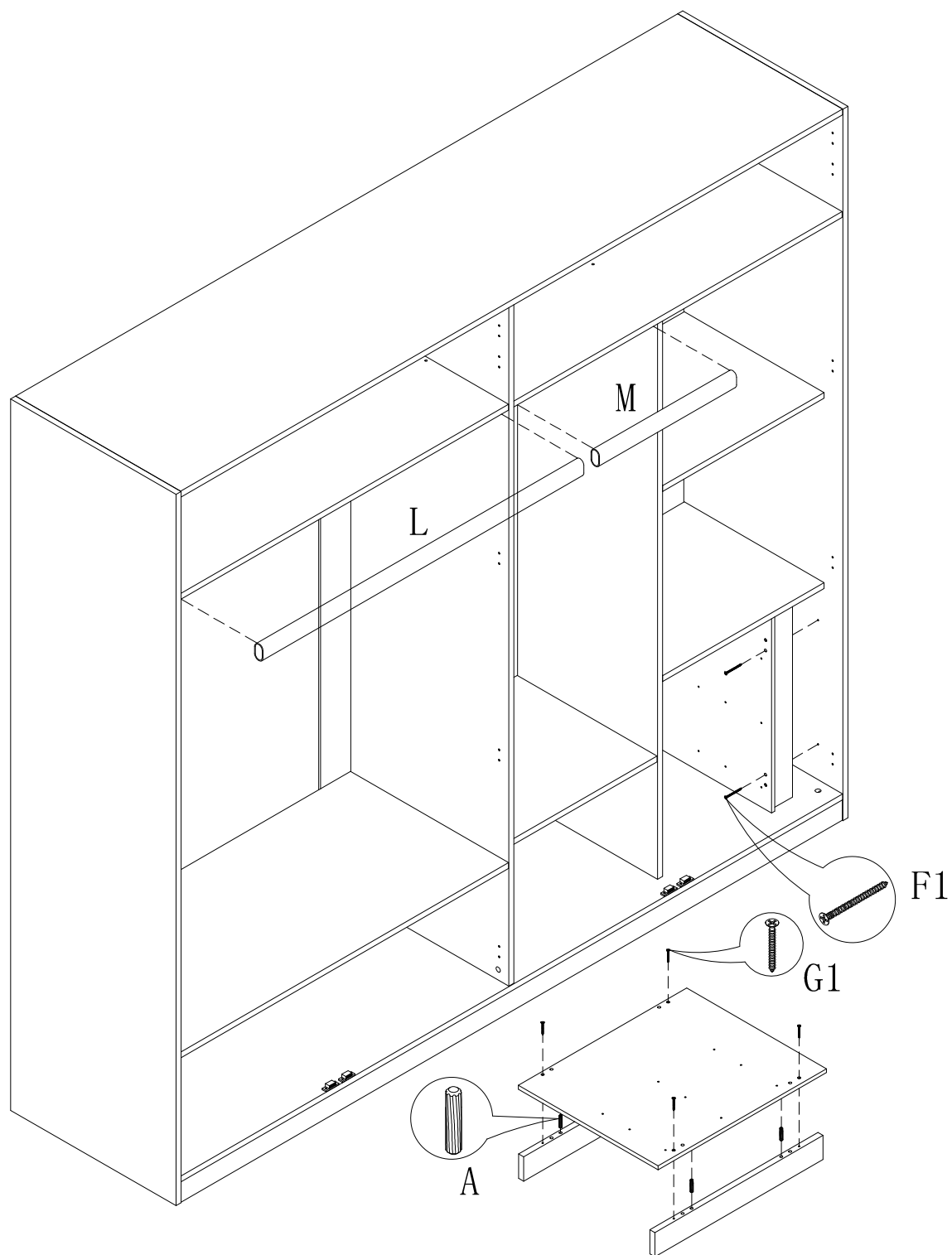
12



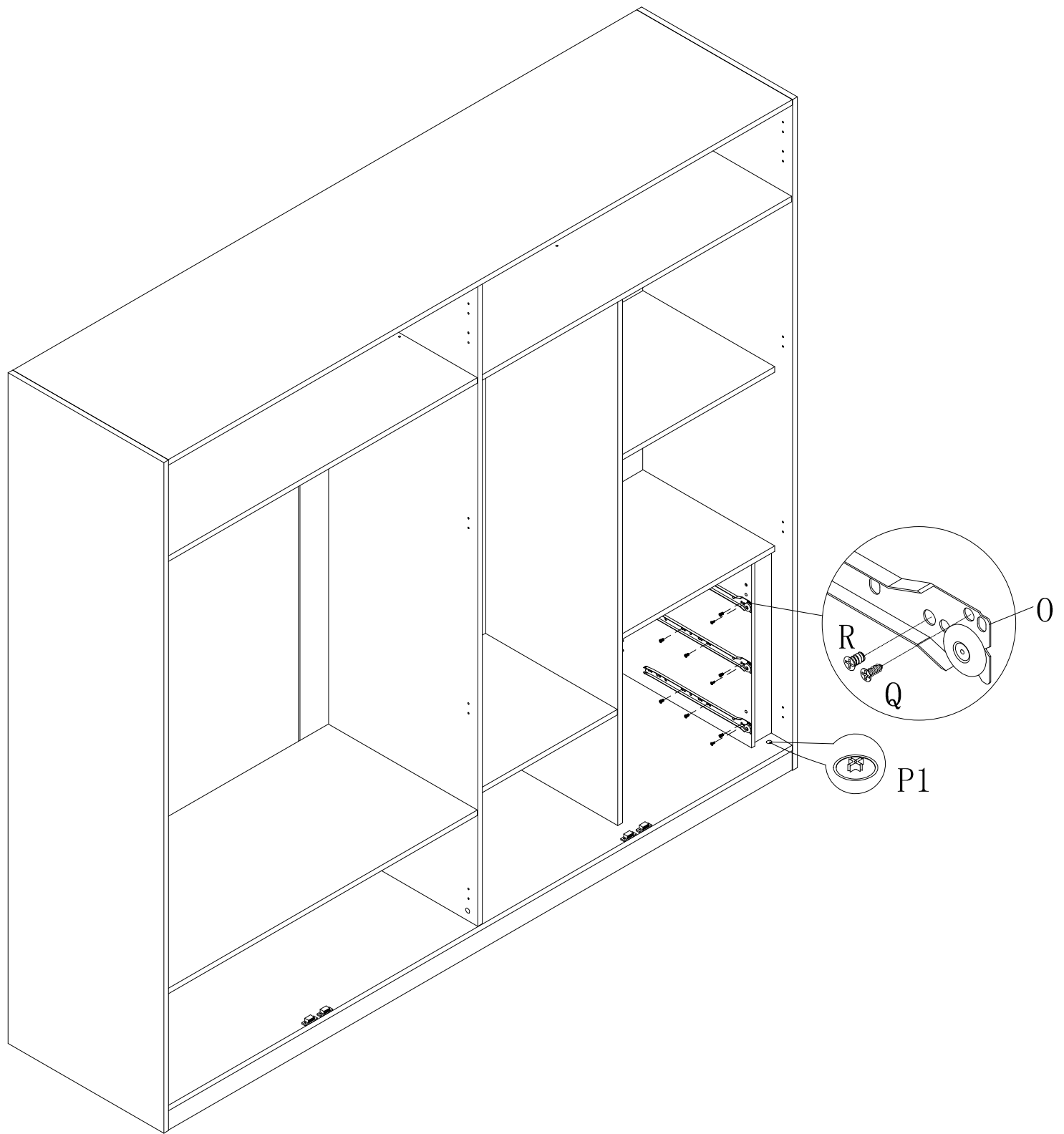
13



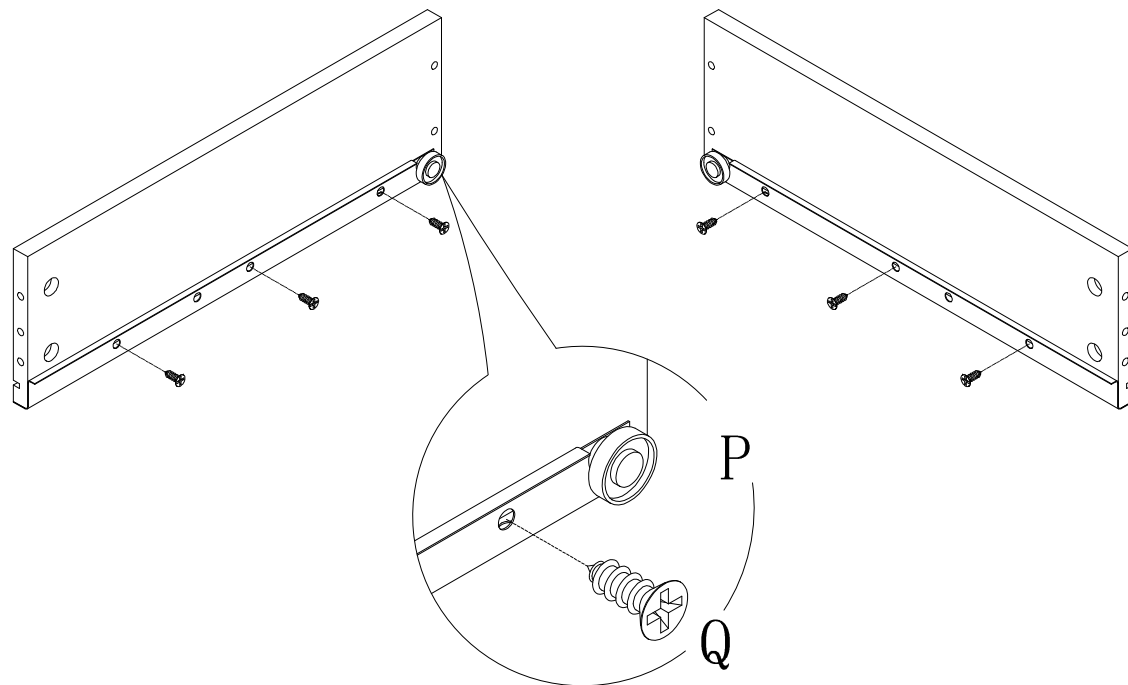
14

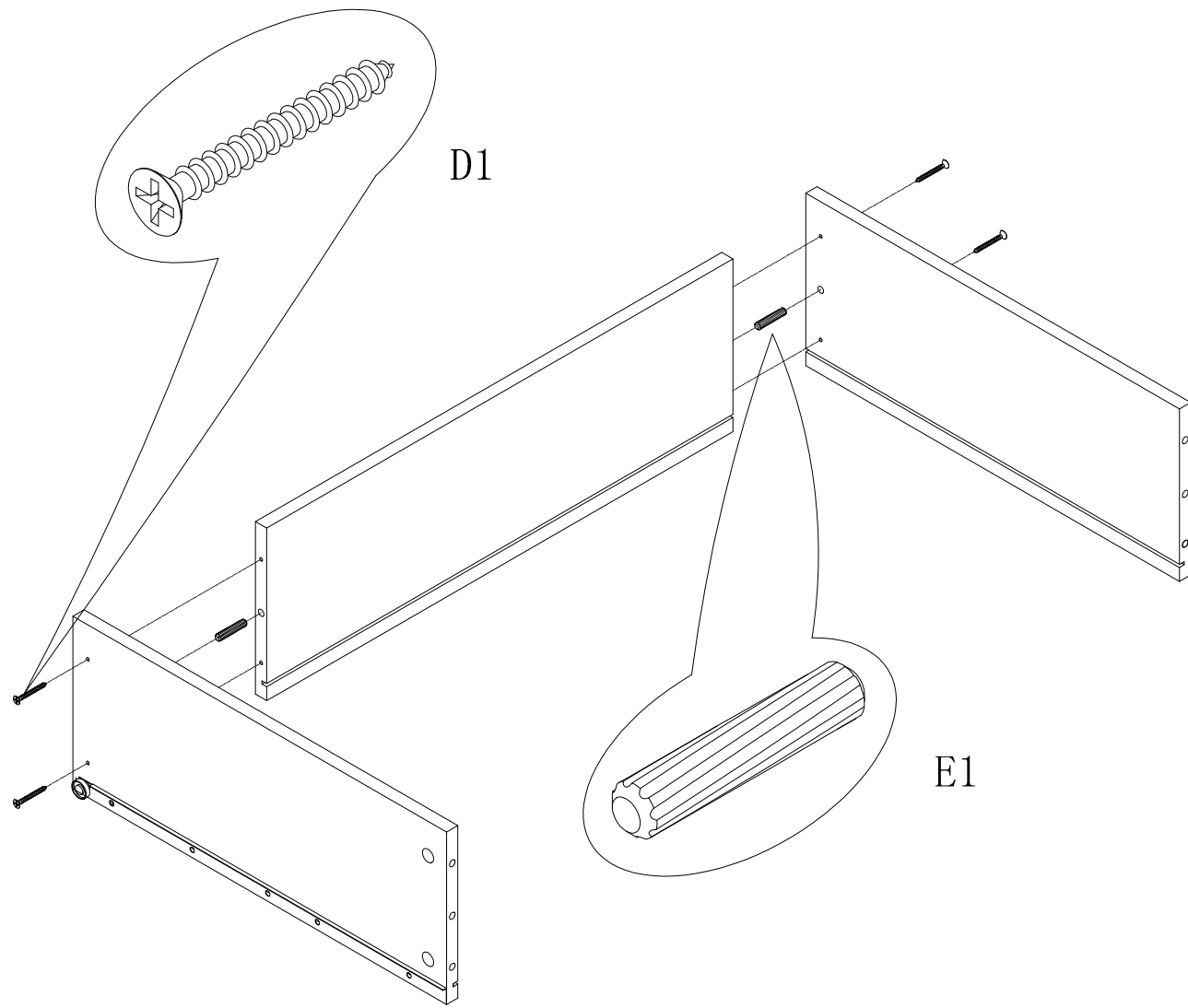


15



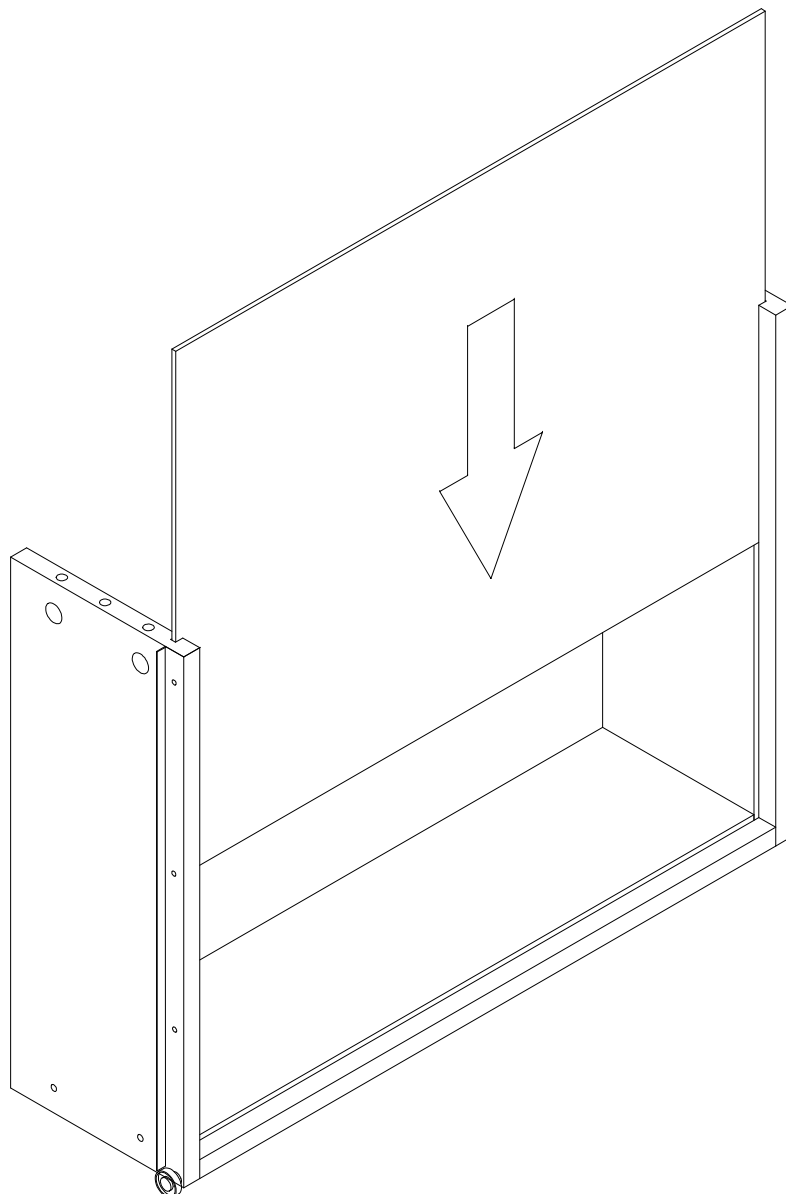
16

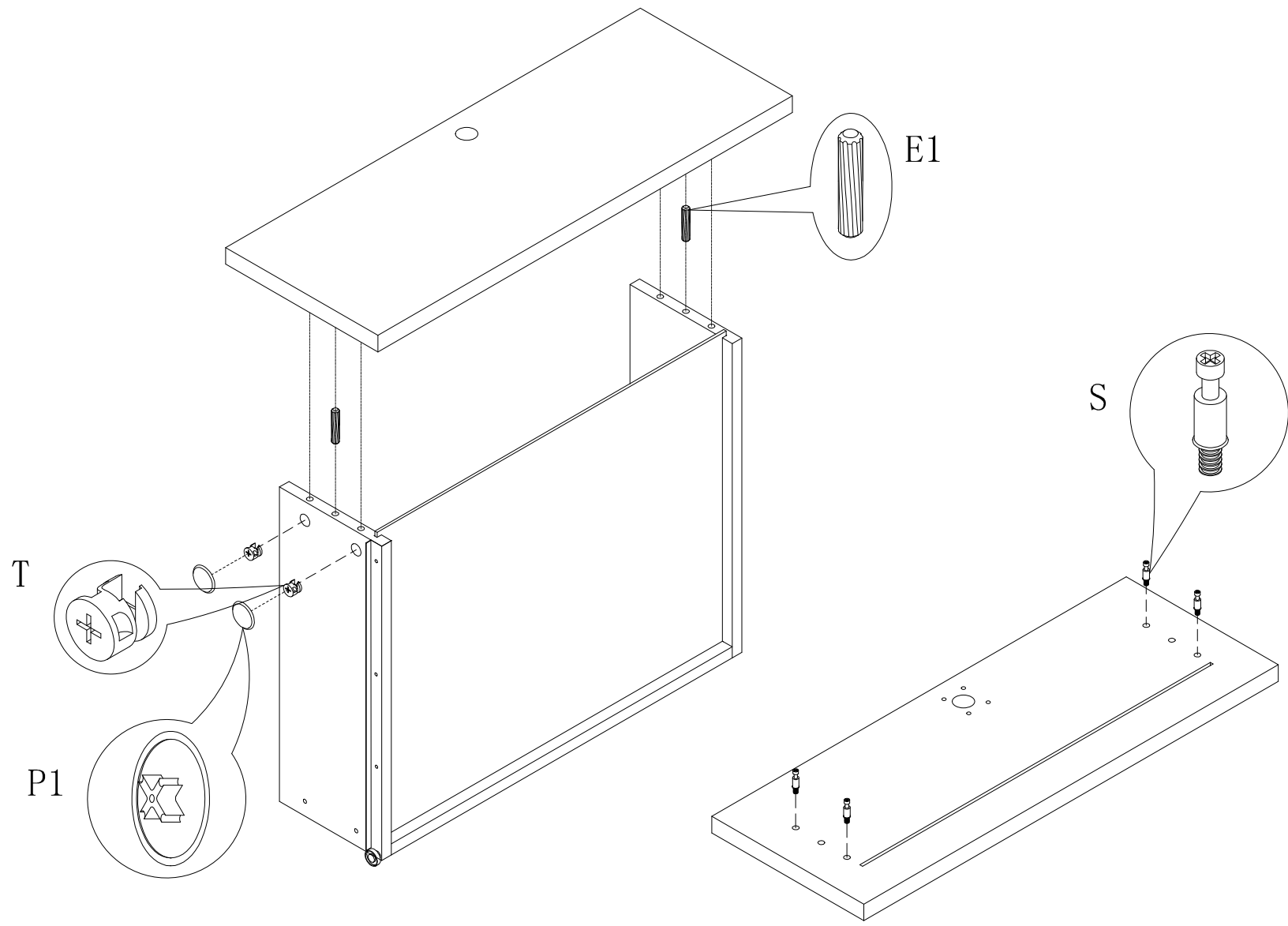




17

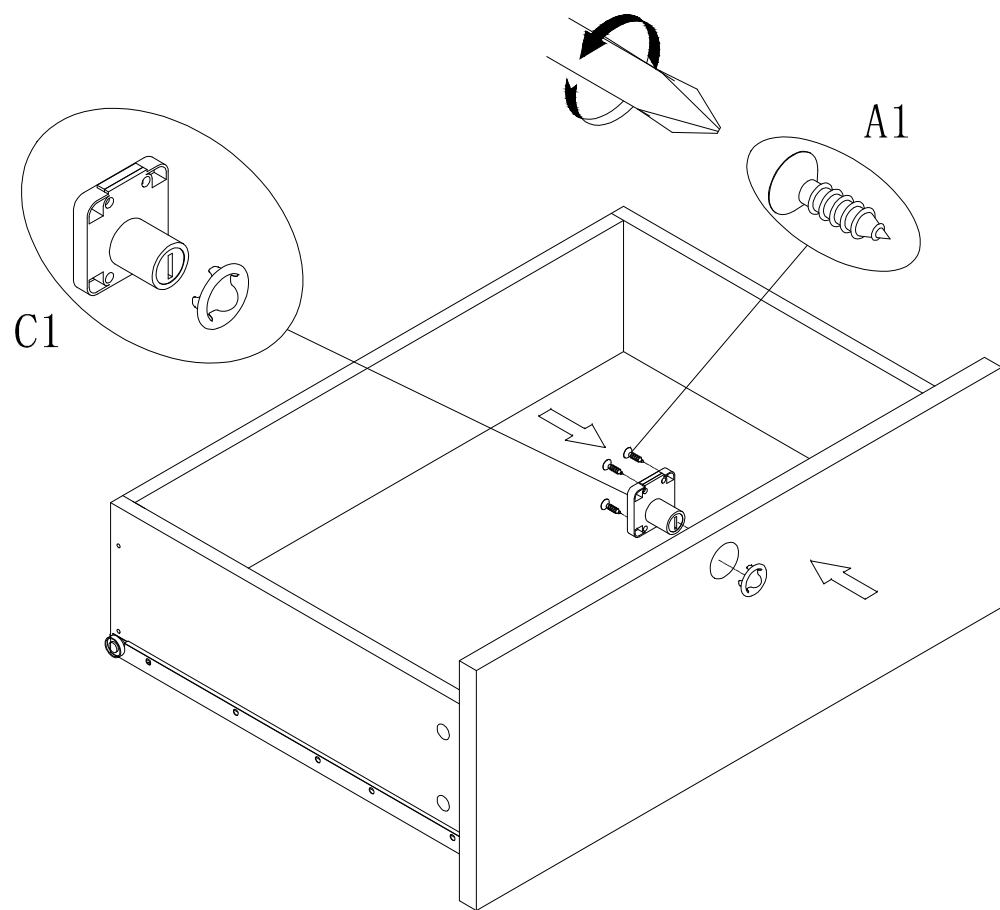
18



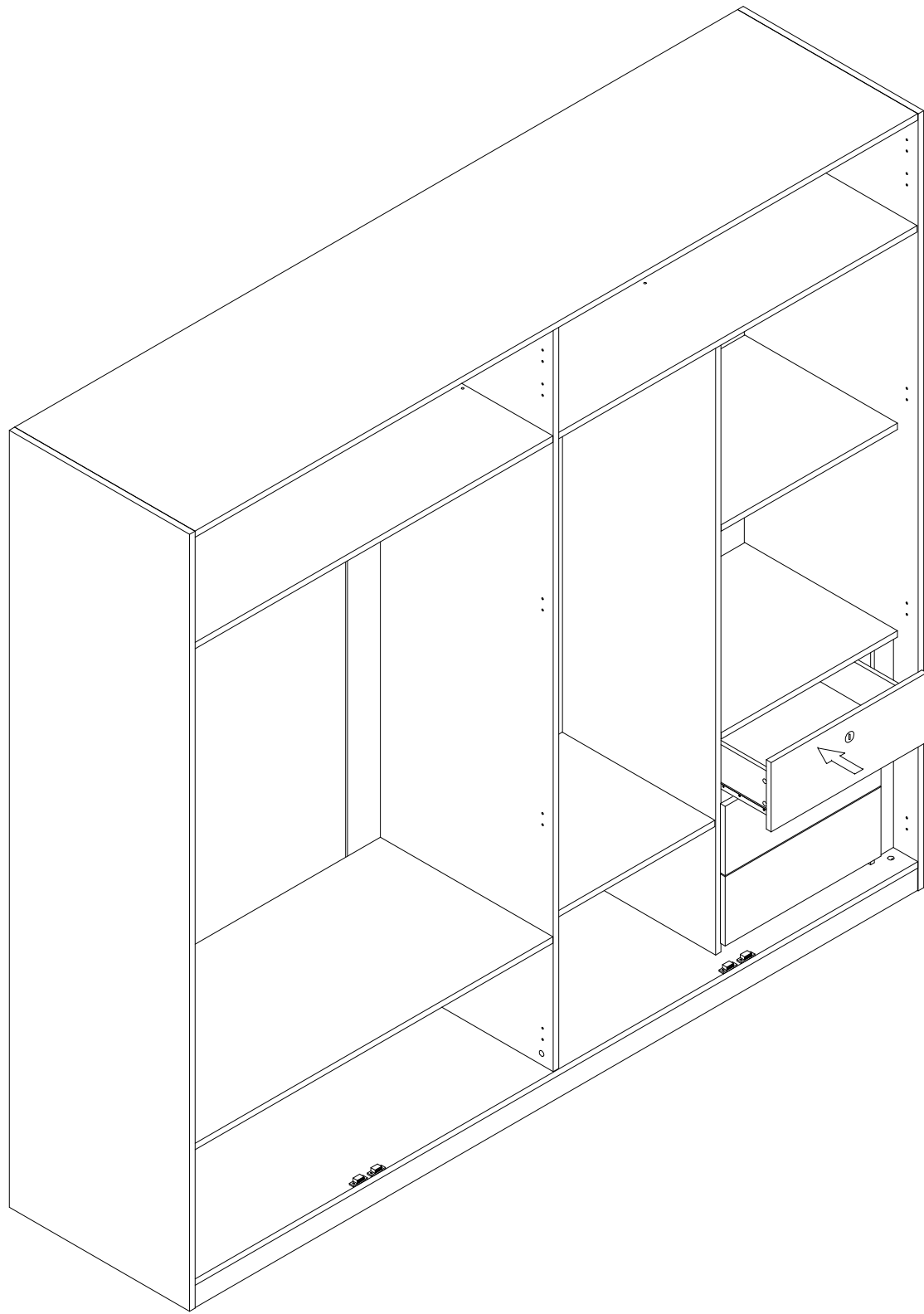


19

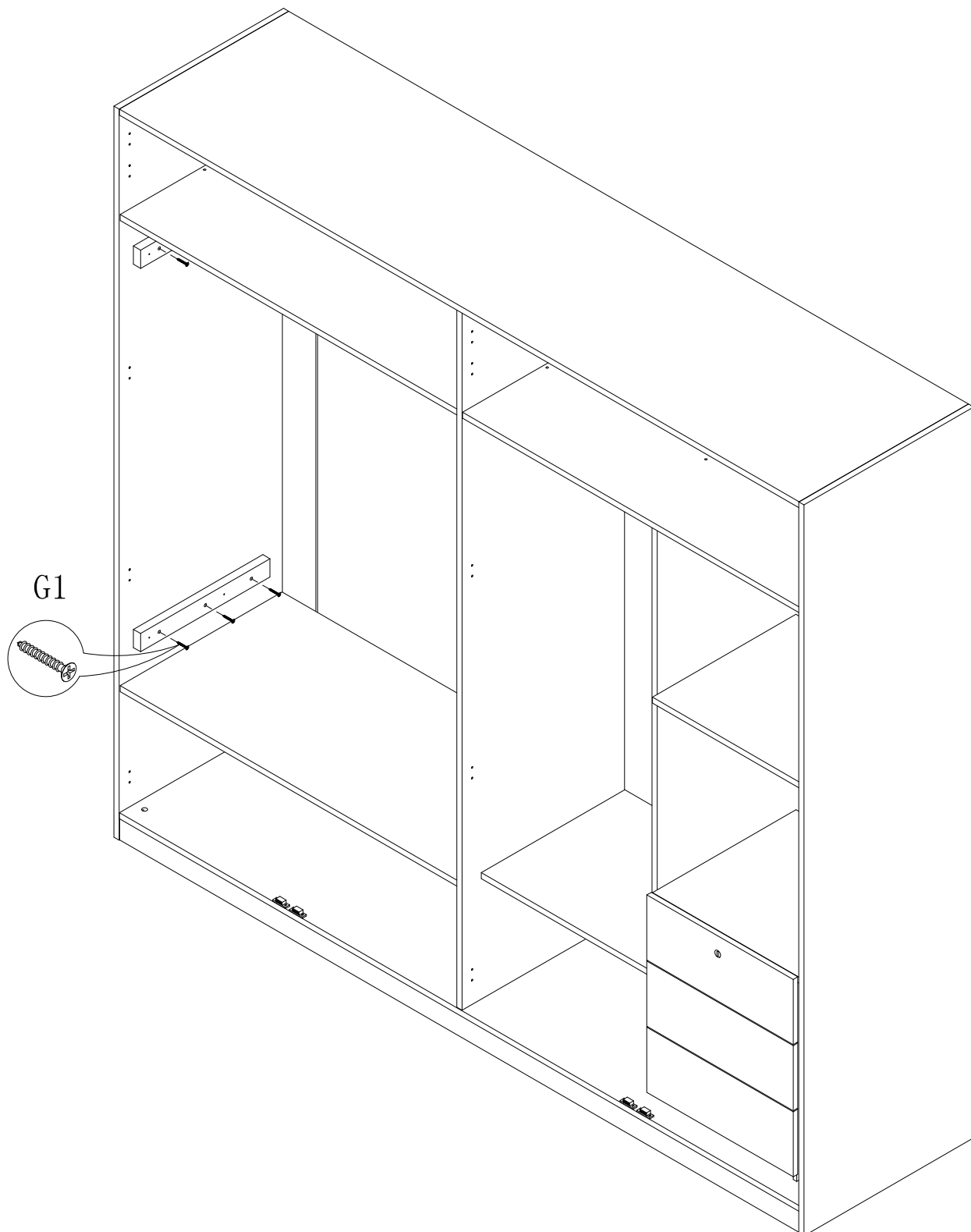
20

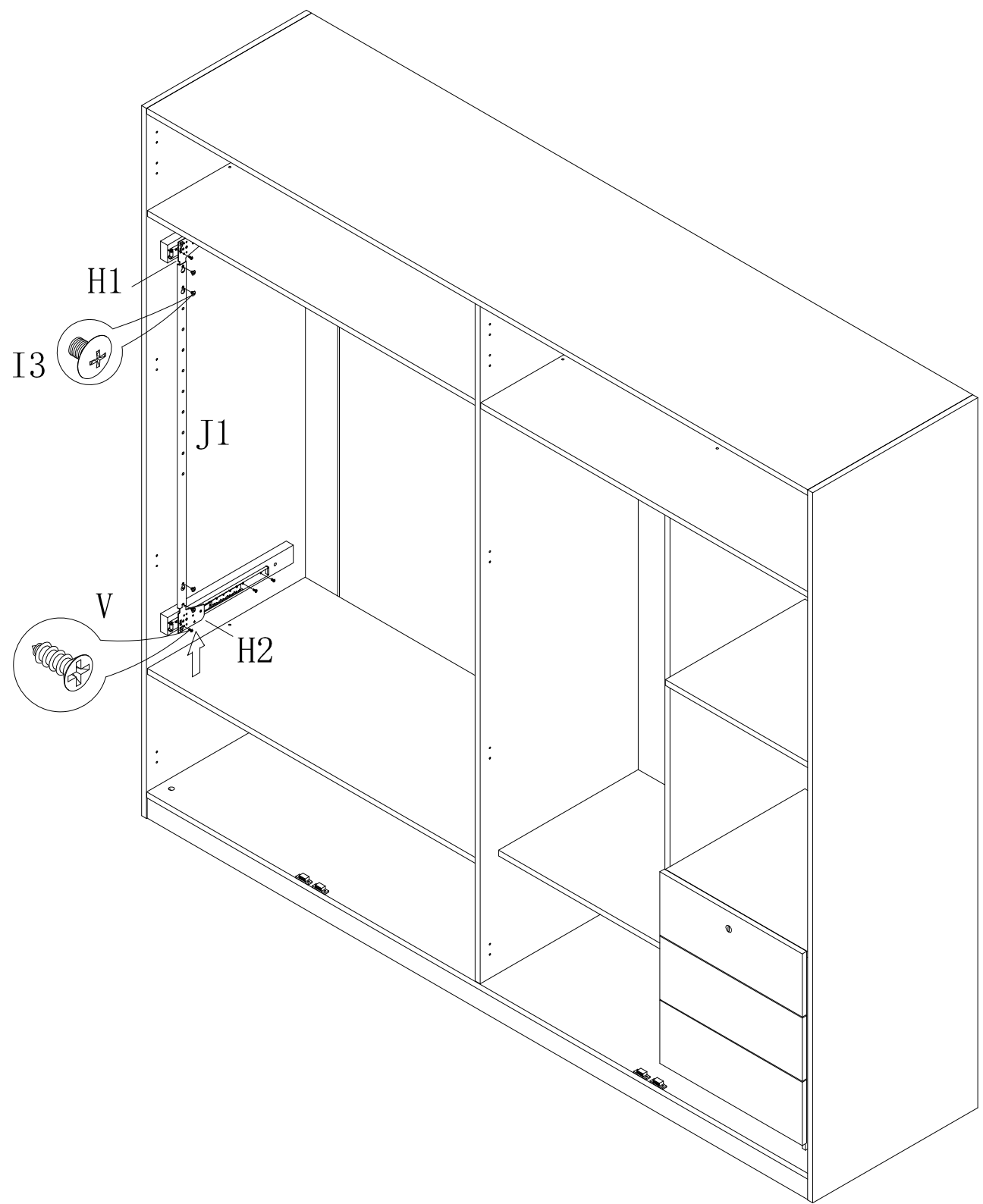


21

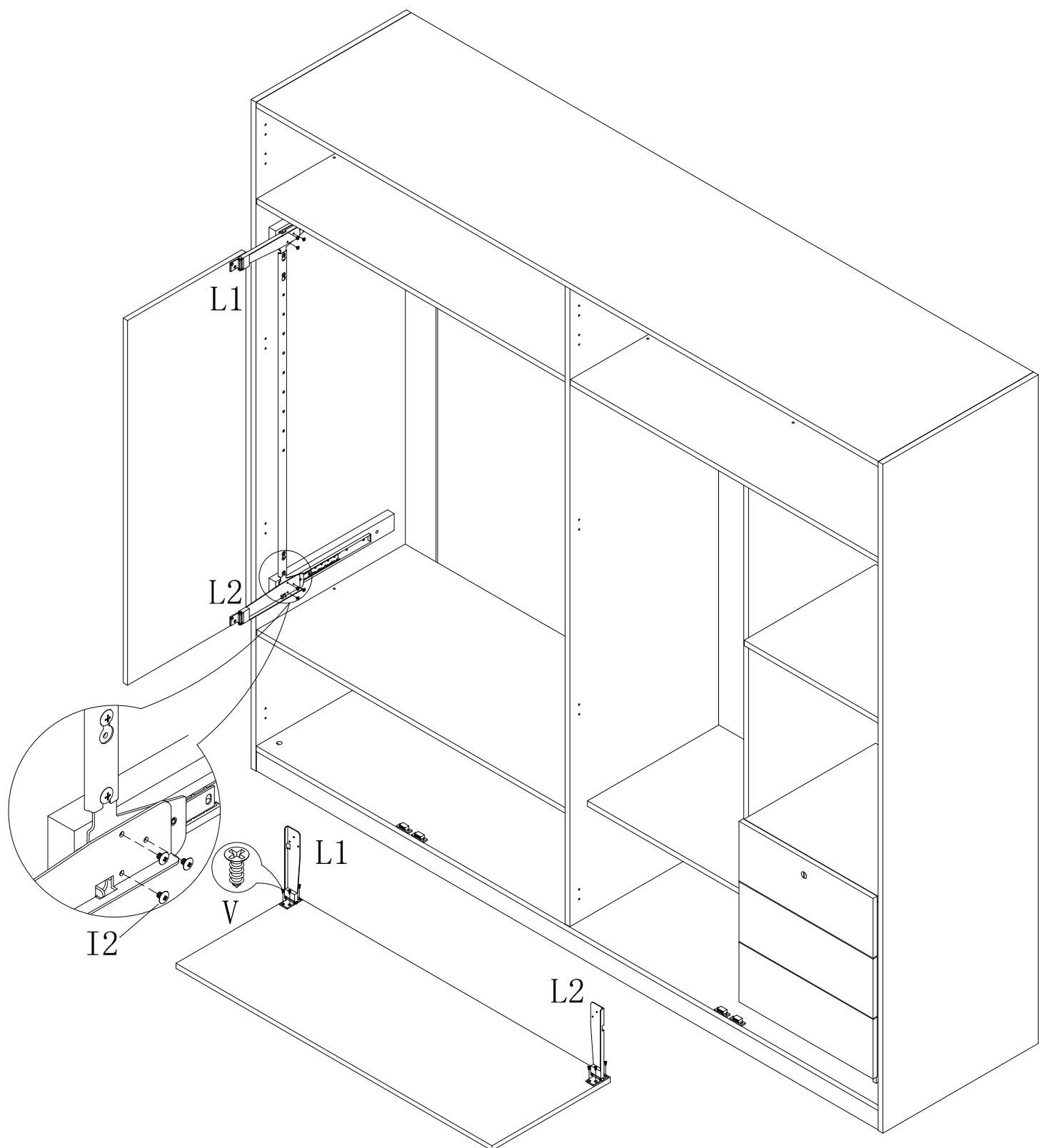


22

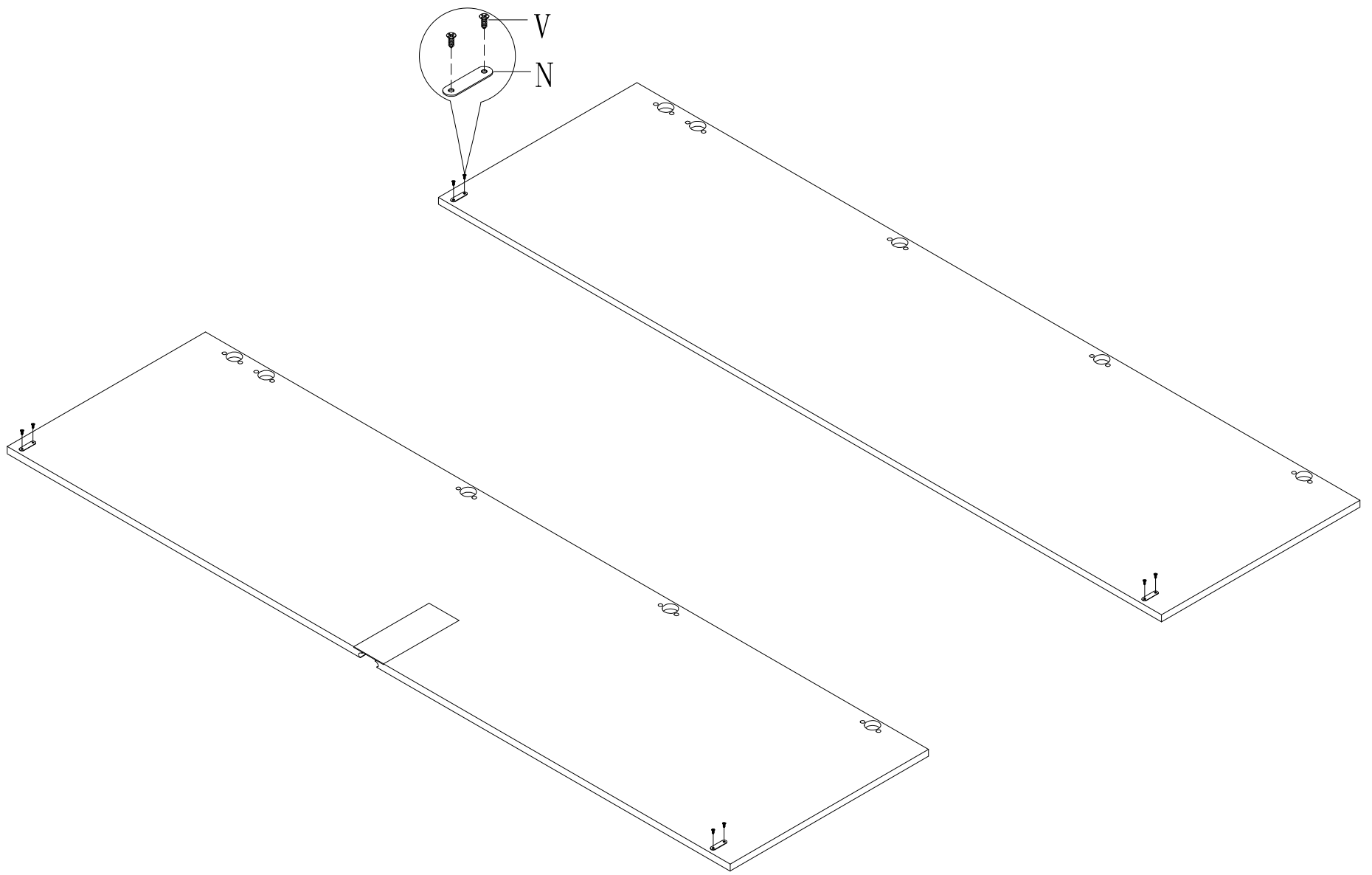




23

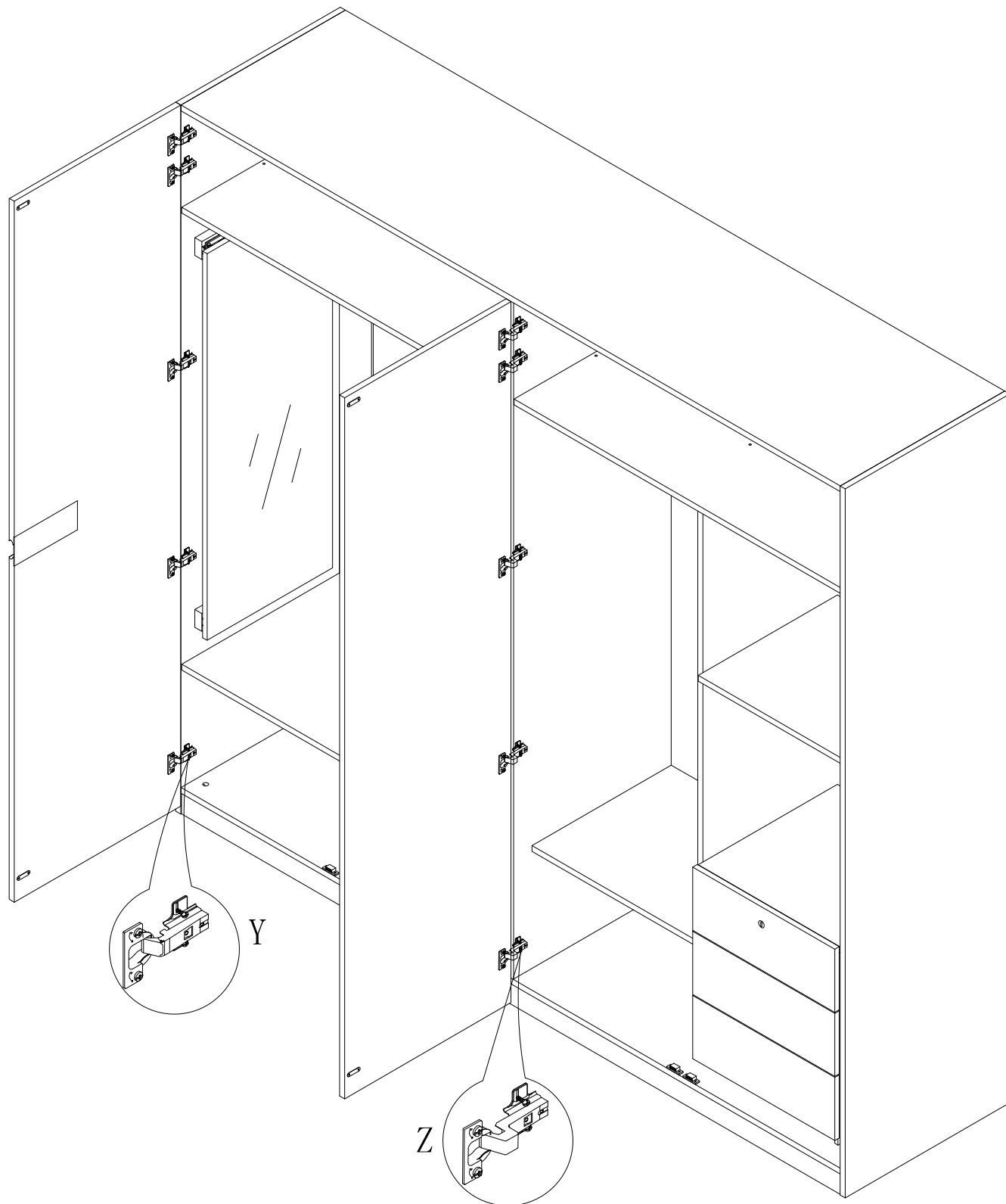


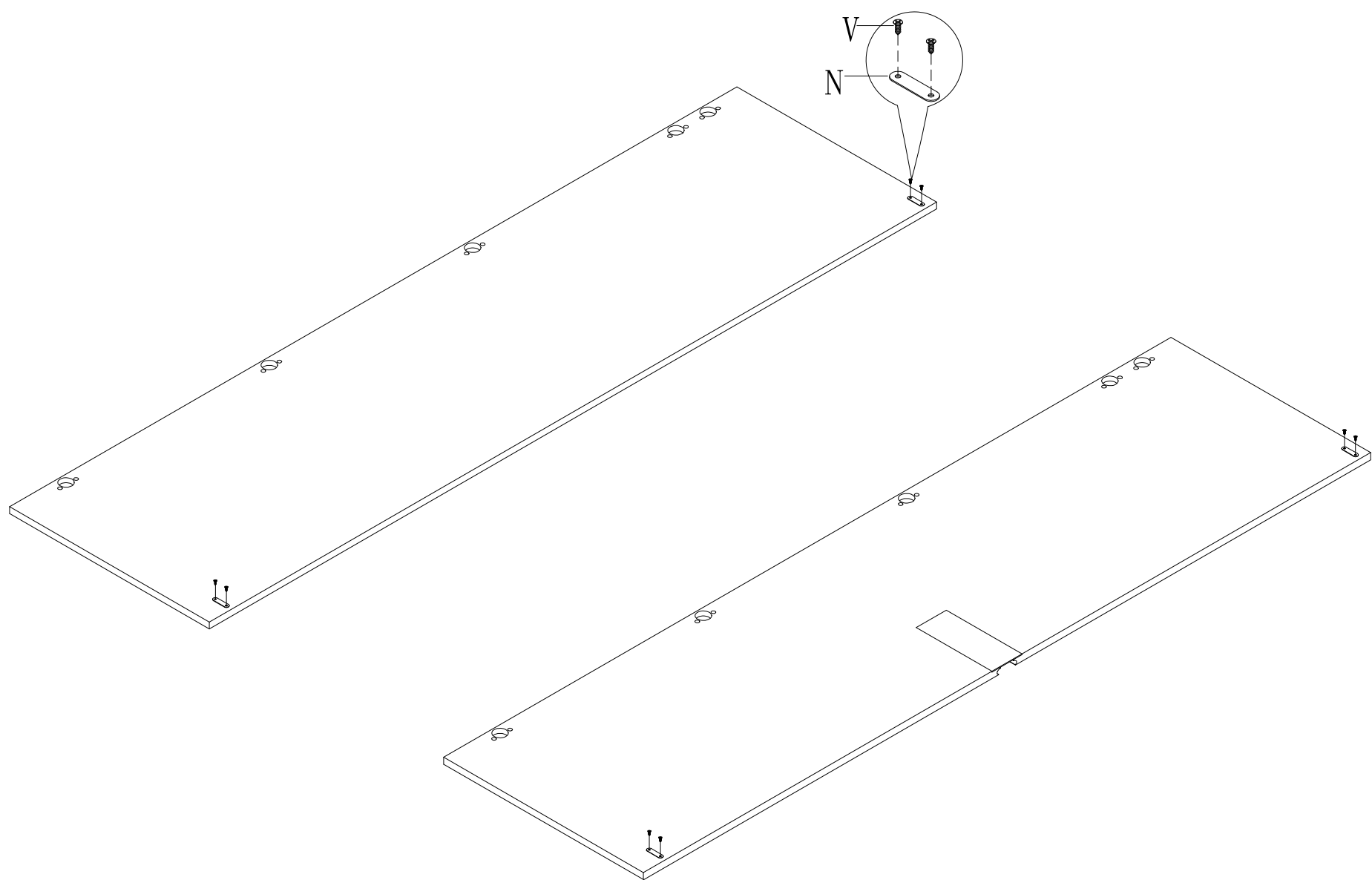
24



25

26





27

28

